

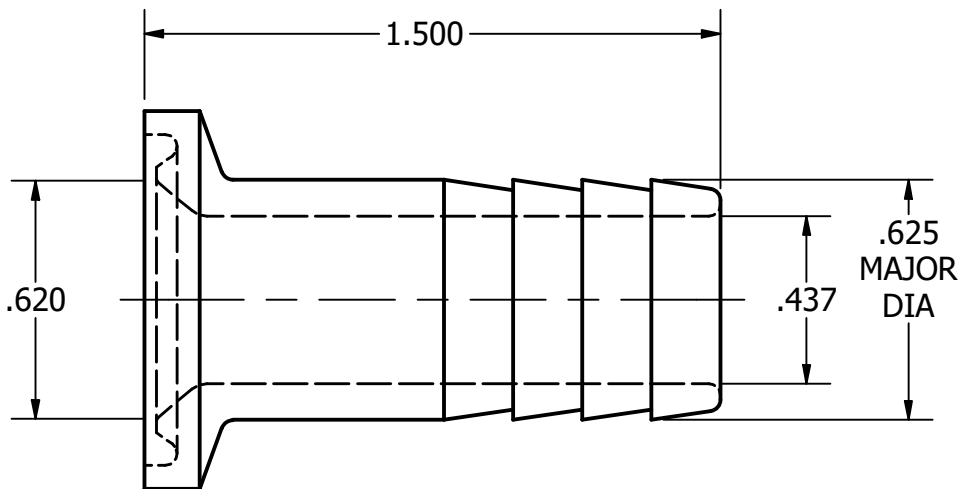
2



1

B

B



A

A

| | | | | |
|--|--|--|--------------------------------------|--------------|
| TOLERANCES | | DRAWN Engineering 2/5/2013 | Steel & O'Brien Mfg. Inc. | |
| DECIMALS: .XX ±.015 .XXX ±.005 .XXXX ±.0005 ANGLES: 1° | | ALL EDGES AND FILLETS .015 R UNLESS OTHERWISE SPECIFIED | | |
| | | | DWG NO: 14MPHR-.75X.625 | REV |
| | | | SCALE: 2 : 1 | SHEET 1 OF 1 |

2



1