

PART NO.	O.D. SIZE	WALL	"A"	"B"
7MP-.50	.50 (12.70mm)	0.065	1.250	2.500
7MP-.75	.75 (19.06mm)	0.065	2.375	4.750
7MP-1	1.00 (25.40mm)	0.065	2.375	4.750
7MP-15	1.50 (38.10mm)	0.065	2.750	5.500
7MP-2	2.00 (50.80mm)	0.065	3.500	7.000
7MP-25	2.50 (63.50mm)	0.065	3.500	7.000
7MP-3	3.00 (76.20mm)	0.065	3.750	7.500
7MP-4	4.00 (101.60mm)	0.083	4.500	9.000
7MP-6	6.00 (152.40mm)	0.109	6.375	12.750

7MP-XX-X-XXX

TUBE O.D. SIZES:

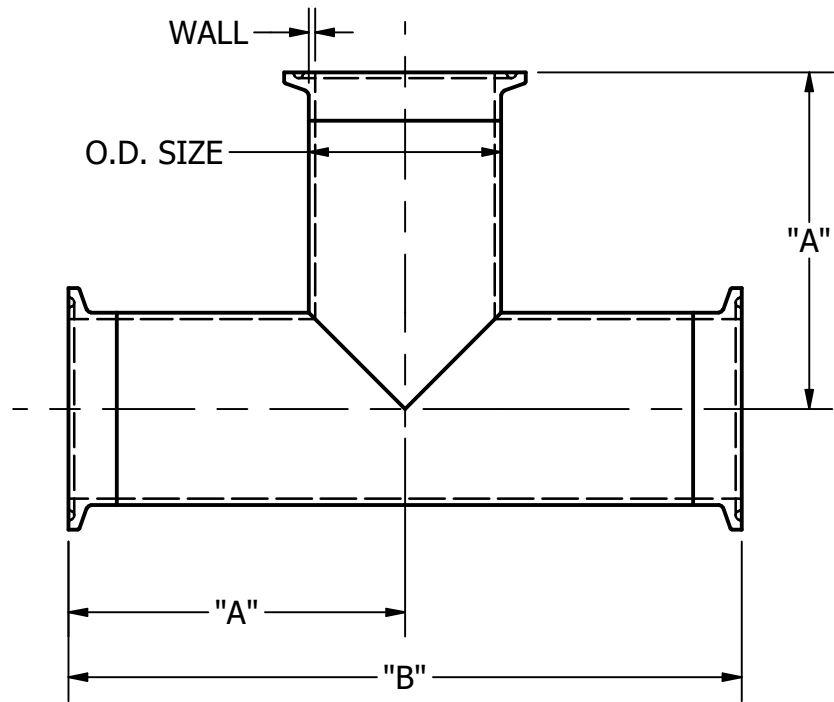
15 = 1- $\frac{1}{2}$ "
2 = 2"

MATERIAL:

304 - 304 STAINLESS STEEL
316 - 316 STAINLESS STEEL

FINISH:

- 1 UNPOLISHED I.D. / UNPOLISHED O.D. (MILL FINISH)
- 3 POLISHED I.D. (32 Ra) , UNPOLISHED O.D.
- 5 UNPOLISHED I.D. / POLISHED O.D. (32 Ra)
- 7 POLISHED I.D. (32 Ra) / POLISHED O.D. (32 Ra)



TOLERANCES REFER TO STEEL & O'BRIEN DOCUMENT # QS121	Steel & O'Brien Mfg. Inc.	
	TITLE	
	7MP CLAMP TEE	
	DWG NO: 7MP	REV
SCALE: NTS	SHEET 1 OF 1	