

2

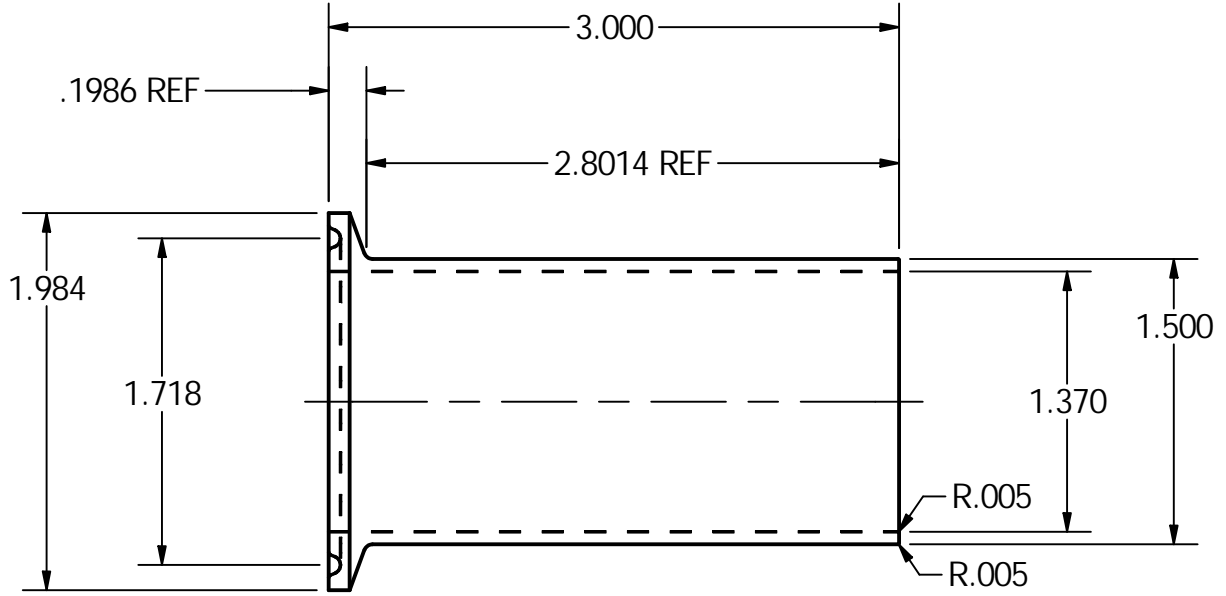
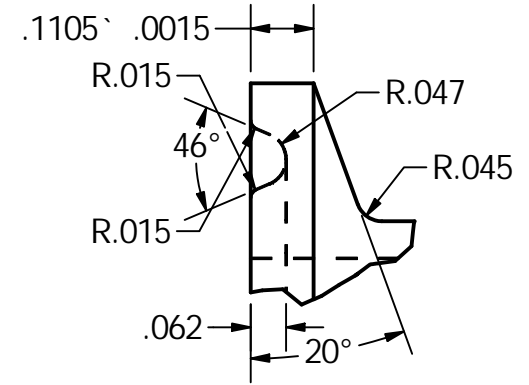
1

B

B

A

A



TOLERANCES		DRAWN M. GOLABEK 1/3/2003		SANITARY FITTINGS, LLC	
DECIMALS: .XX ±.015 .XXX ±.005 .XXXX ±.0005 ANGLES: 1°		ALL EDGES AND FILLETS .015 R UNLESS OTHERWISE SPECIFIED			
				DWG NO: AAP01500	
				SCALE: 1 : 1	
				SHEET 1 OF 1	
				REV	

2



1