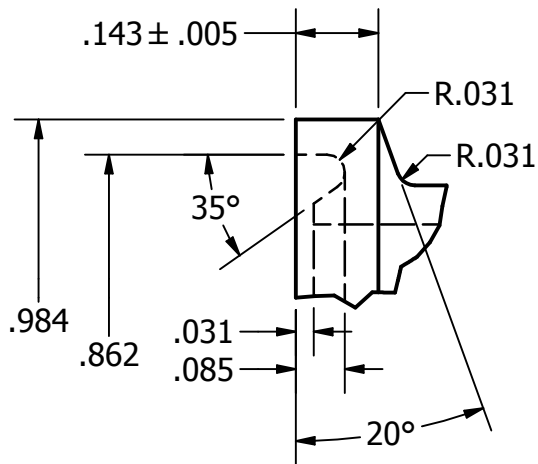
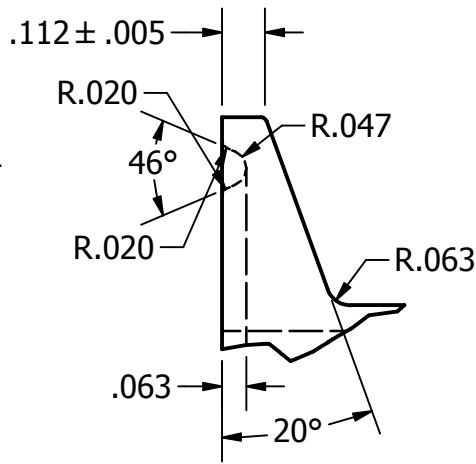


B

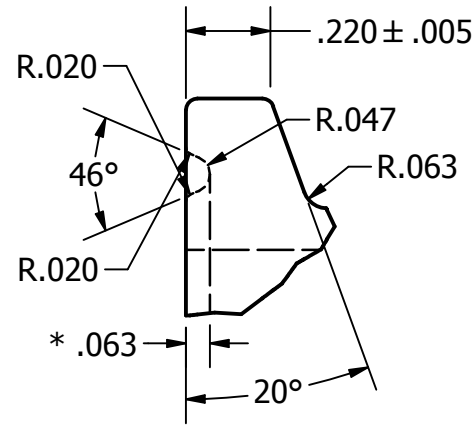
B



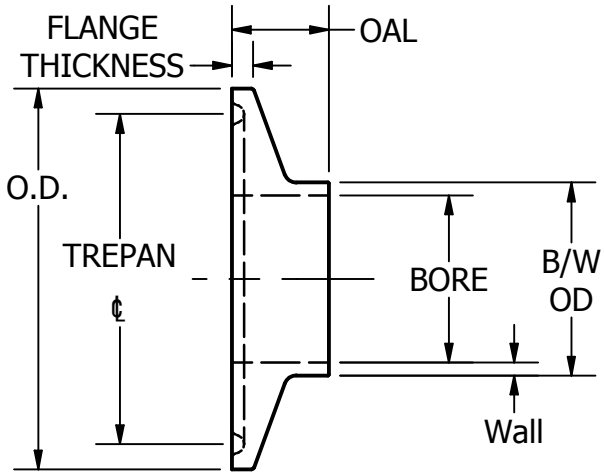
1/2 & 3/4 SIZE
TYPE A



1.0 - 5.0 SIZE
TYPE B



6.0-12.0 SIZE
* = .080 for 8" - 12"



Part No.	Size	O.D.	Trepan	OAL	B/W OD	Bore	Wall
AAQ00500	1/2	---	---	.505	.505	.370	.065
AAQ00750	3/4	---	---	.505	.755	.620	.065
AAQ01000	1.0	1.984	1.718	.505	1.005	.870	.065
AAQ01500	1-1/2	1.984	1.718	.505	1.505	1.370	.065
AAQ02000	2.0	2.516	2.218	.505	2.005	1.870	.065
AAQ02500	2-1/2	3.047	2.781	.505	2.505	2.370	.065
AAQ03000	3.0	3.579	3.281	.505	3.005	2.870	.065
AAQ04000	4.0	4.682	4.344	.630	4.005	3.834	.083
AAQ05000	5.0	5.687	5.292	.755	5.005	4.782	.109
AAQ06000	6.0	6.570	6.176	.750	6.005	5.782	.109
AAQ08000	8.0	8.570	8.156	.880	8.005	7.782	.109
AAQ10000	10.0	10.570	10.156	.880	10.005	9.782	.109
AAQ12000	12.0	12.570	12.156	1.000	12.005	11.782	.109

THE SKETCHES ARE FOR REFERENCE ONLY.
ACTUAL SHAPE OF THE FERRULES MAY BE DIFFERENT.

TOLERANCES	DRAWN M. GOLABEK 5/30/2013
DECIMALS: .XX ±.015 .XXX ±.005 .XXXX ±.0005 ANGLES: 1°	ALL EDGES AND FILLETS .015 R UNLESS OTHERWISE SPECIFIED

Steel & O'Brien Mfg. Inc.

TITLE STD T.C. BY STD B/W 14WMP FERRULE	
DWG NO: AAQ	REV 2
SCALE: 1 : 1	SHEET 1 OF 1

A

A