

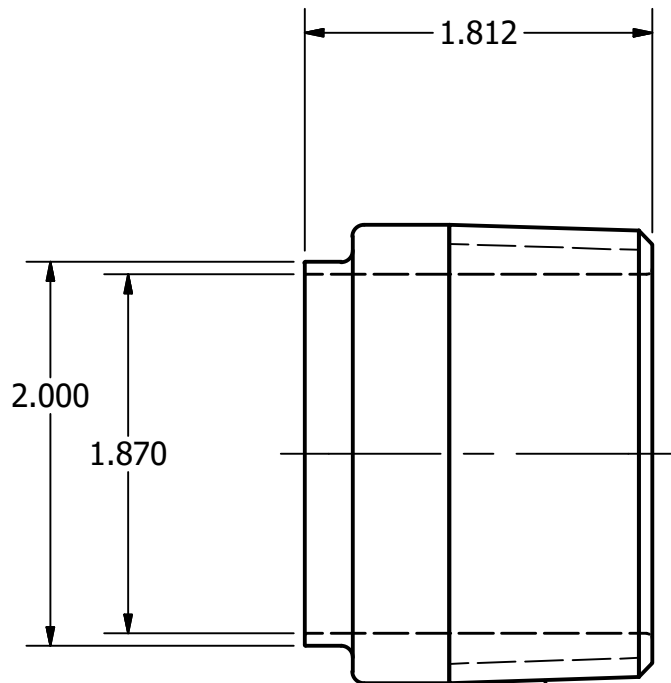
2



1

B

B



2-11.5 MNPT
D.O.T. = .06957



A

A

TOLERANCES		DRAWN Engineering 12/14/2011	Steel & O'Brien Mfg. Inc.	
DECIMALS: .XX ±.015 .XXX ±.005 .XXXX ±.0005 ANGLES: 1°		ALL EDGES AND FILLETS .015 R UNLESS OTHERWISE SPECIFIED	TITLE 2" BW X MNPT ADAPTER	
			DWG NO: 19WB-2	REV
		SCALE: 1 : 1		SHEET 1 OF 1

2



1