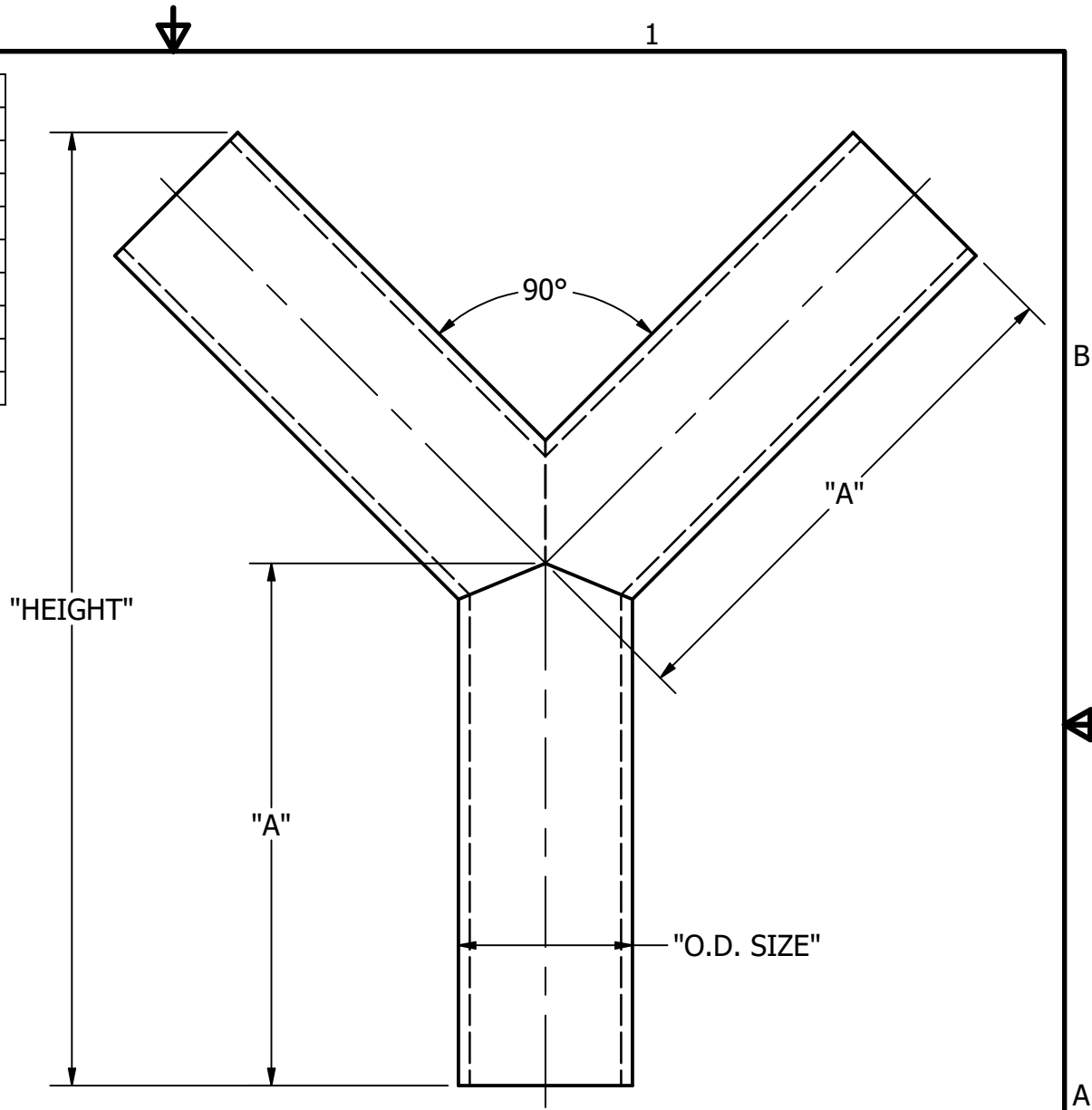


Part No.	O.D. Size	"A"	Height
28WB-.50	.500	2.000	3.591
28WB-.75	.750	2.000	3.680
28WB-1	1.000	3.000	5.475
28WB-1 1/2	1.500	3.000	5.652
28WB-2	2.000	4.000	7.536
28WB-2 1/2	2.500	5.000	9.420
28WB-3	3.000	6.000	11.304
28WB-4	4.000	8.000	15.072
28WB-6	6.000	8.000	15.779

ALL DIMENSIONS ARE IN INCHES



<p>TOLERANCES</p> <p>REFER TO STEEL & O'BRIEN DOCUMENT # QS121</p>	<p>Steel & O'Brien Mfg. Inc.</p>	
	<p>TITLE</p> <p>28WB TRUE WYE</p>	
	<p>DWG NO: 28WB</p>	<p>REV</p>
	<p>SCALE: NTS</p>	<p>SHEET 1 OF 1</p>