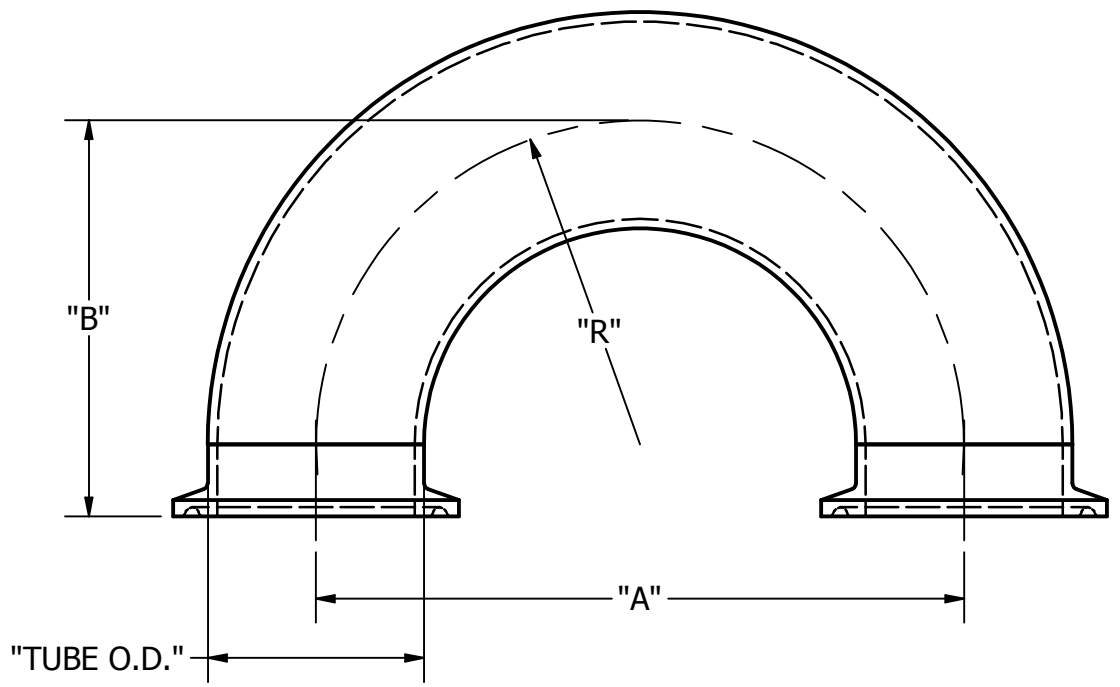


| PART NO. | TUBE O.D. SIZE | WALL | A | B | R |
|----------|----------------|------|--------|-------|-------|
| 2UMP-.50 | .50 | .065 | 1.500 | 1.25 | .75 |
| 2UMP-.75 | .75 | .065 | 2.250 | 1.625 | 1.125 |
| 2UMP-1 | 1.00 | .065 | 3.000 | 2.000 | 1.500 |
| 2UMP-15 | 1.50 | .065 | 4.500 | 2.750 | 2.250 |
| 2UMP-2 | 2.00 | .065 | 6.000 | 3.500 | 3.000 |
| 2UMP-25 | 2.50 | .065 | 7.500 | 4.250 | 3.750 |
| 2UMP-3 | 3.00 | .065 | 9.000 | 5.000 | 4.500 |
| 2UMP-4 | 4.00 | .083 | 12.000 | 6.625 | 6.000 |
| 2UMP-6 | 6.00 | .109 | 18.000 | 9.875 | 9.000 |



TOLERANCES

REFER TO
STEEL & O'BRIEN
DOCUMENT # QS121

Steel & O'Brien Mfg. Inc.

TITLE
2UMP - 180 DEG. CLAMP RETURN

DWG NO: **2UMP**

SCALE: NTS

SHEET 1 OF 1

REV