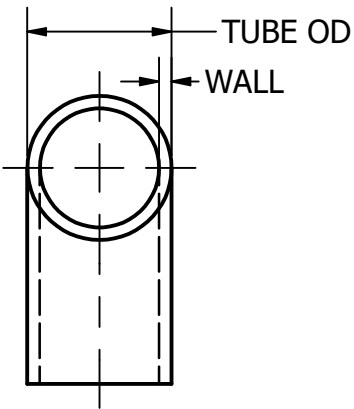
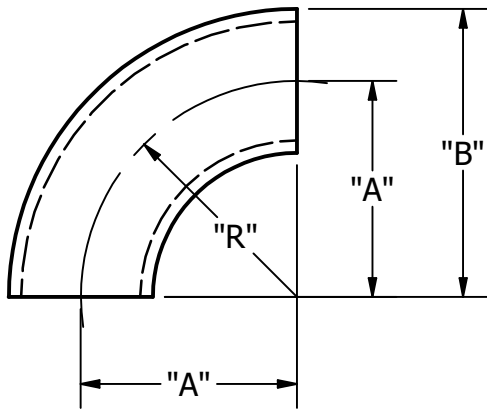


| Part Number | OD SIZE | Wall | A | B | R |
|------------------|-----------|----------|-----------|-----------|-----------|
| 2WCL-.50 | 0.500 in | 0.065 in | 0.750 in | 1.000 in | .750 in |
| 2WCL-.50L | 0.500 in | 0.065 in | 1.125 in | 1.375 in | 1.125 in |
| 2WCL-.75 | 0.750 in | 0.065 in | 1.125 in | 1.500 in | 1.125 in |
| 2WCL-1 | 1.000 in | 0.065 in | 1.500 in | 2.000 in | 1.500 in |
| 2WCL-1.25 | 1.250 in | 0.065 in | 1.875 in | 2.500 in | 1.875 in |
| 2WCL-1.25-SCH 40 | 1.660 in | 0.140 in | | | 1.875 in |
| 2WCL-1.5 | 1.500 in | 0.065 in | 2.250 in | 3.000 in | 2.250 in |
| 2WCL-2 | 2.000 in | 0.065 in | 3.000 in | 4.000 in | 3.000 in |
| 2WCL-25 | 2.500 in | 0.065 in | 3.750 in | 5.000 in | 3.750 in |
| 2WCL-3 | 3.000 in | 0.065 in | 4.500 in | 6.000 in | 4.500 in |
| 2WCL-4 | 4.000 in | 0.083 in | 6.000 in | 8.000 in | 6.000 in |
| 2WCL-5 | 5.000 in | 0.083 in | 7.500 in | 10.000 in | 7.500 in |
| 2WCL-6 | 6.000 in | 0.109 in | 9.000 in | 12.000 in | 9.000 in |
| 2WCL-8 | 8.000 in | 0.109 in | 12.000 in | 16.000 in | 12.000 in |
| 2WCL-10 | 10.000 in | 0.109 in | 15.000 in | 20.000 in | 15.000 in |
| 2WCL-12 | 12.000 in | 0.109 in | 18.000 in | 24.000 in | 18.000 in |



| | | |
|--|--|--------------|
| TOLERANCES REFER TO STEEL & O'BRIEN DOCUMENT # QS121 | Steel & O'Brien Mfg. Inc. | |
| | TITLE 2WCL - 90 DEG. BUTT WELD ELBOW, SHORT | |
| | DWG NO: 2WCL | REV 0 |
| | SCALE: 1.5 : 1 | SHEET 1 OF 1 |