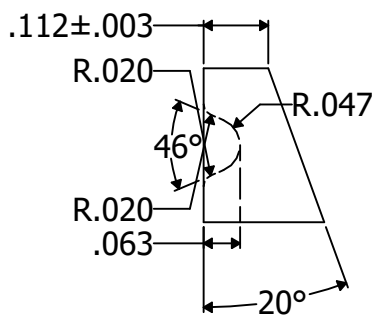


AAQ02500  
(14WMP-2 1/2")

AAQ01000  
(14WMP-1")

31W-25X1



14WMP-1" - 4"  
GASKET GROOVE DETAIL

TOLERANCES		DRAWN Engineering		<b>Steel &amp; O'Brien Mfg. Inc.</b>	
DECIMALS: .XX ±.125 .XXX ±.050 ANGLES: 1°		11/10/2016			
		<b>UNLESS OTHERWISE NOTED:</b> >ALL WELDS ARE AUTOGENOUS BUTTWELD >WELDS POLISHED FLUSH >32Ra ID/OD >REFER TO DOC# QS121 FOR GENERAL TOLERANCES		2 1/2" x 1" TC CONCENTRIC REDUCER ASSEMBLY	
				DWG NO: <b>31-14MP-2.5X1</b>	
		SCALE: 1 : 1		SHEET 1 OF 1	