

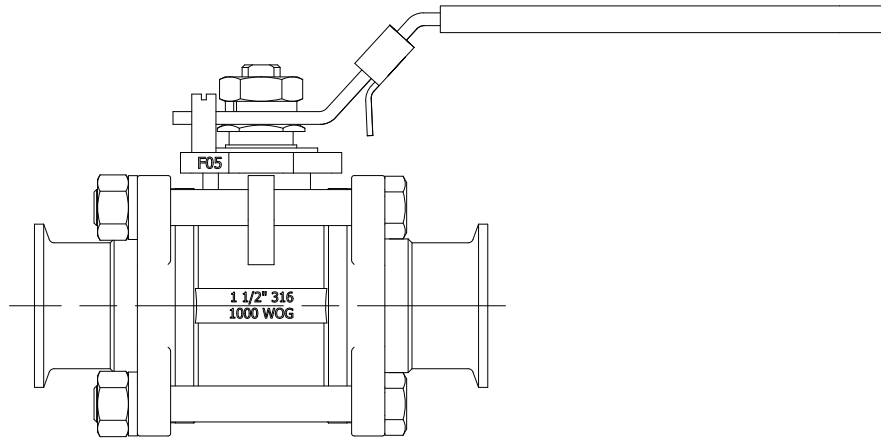
# Manual Ball Valve



Member of:



## OPERATING MANUAL SANITARY MANUAL BALL VALVE



### Instructions:

1. Steel & O'Brien manual ball valves are designed for use with different standards and require a low torque for opening and closing
2. When installing, determine that the valve is set in the correct position, open or closed.
3. Before installation, check that the handle is connected tightly to the valve body.
4. Keep all valve surfaces as clean as possible to prevent corrosion.
5. Disassemble the valve for proper cleaning of inner parts and surfaces.
6. Any loose screws or modifications to the bolts may affect valve performance.
7. Check the valve seat often to avoid leaking and replace as needed.

### Notices:

#### A. PRECAUTION BEFORE USING:

- a. Stock ball valves in a dry area, if possible leave in original packaging prior to use.
- b. To prevent damage, do not stock valves on handle.

# Manual Ball Valve

Notices:

## B. ASSEMBLY ON THE PROCESS LINE:

### a. Weld End:

1. Disassemble the weld flanges for welding to avoid the gasket being damaged.
2. Clean all inner surfaces while assembling after welding.
3. Tighten up all of the bolts.
4. Turn handle completely to the fully open-closed positions a few times to ensure the valve is engaging smoothly.

### b. Clamp End:

1. Before installing verify correct valve connection size and style with the process line size and style.
2. Properly install the valve according to the connection style.

## D. WORK TEMPERATURE & PRESSURE:

### 1. Working pressure for valve:

1/2" - 4" (up to 68 bar) up to 1000psi @ 70° f

1/2" - 4" (up to 20 bar) up to 200psi @ 300° f

(values dependent on clamp style used during installation)

### 2. Working temperature (water): (-17°c to 148°c) 0°f to 300°f dependent on size, gasket material and clamp style used during installation.

### 3. Torque required to fully open and fully close valve:

Size	1/2"	3/4"	1"	1-1/2"	2"	2-1/2"	3"	4"
N*m (newton meter)	4.75	6.55	10.51	32.20	39.54	88.35	107.45	139.20
Inch-Pounds	42	58	93	285	350	782	951	1232

Valve Notes:

Replacement kits are available and include:

- PTFE Ball
- Body Gasket
- Thrust Washer
- Stem Seal

Valve body gaskets and seats should be inspected regularly for wear

Body: Precision machined from 316ss, Casting to ASTM CF-8M Specification

Body connection can be changed and is available in many variations including:

Weld, Clamp, Bevel Seat, SMS, DIN, 3A and other options available

Seat: PTFE full flow encapsulated