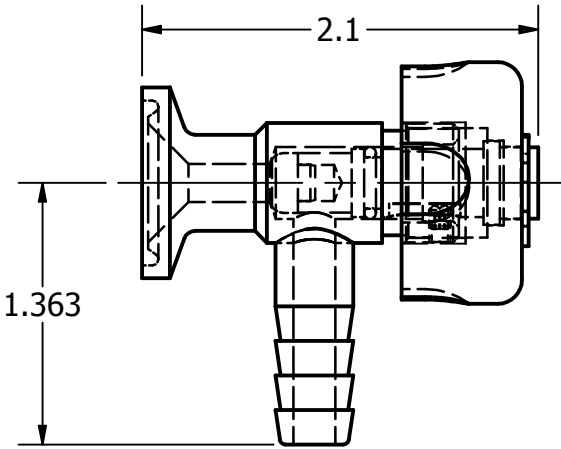
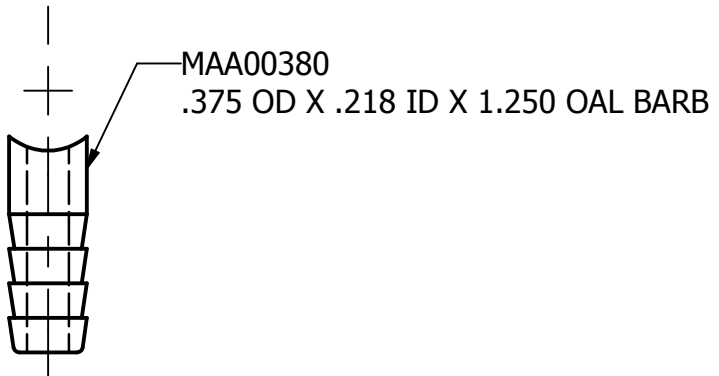
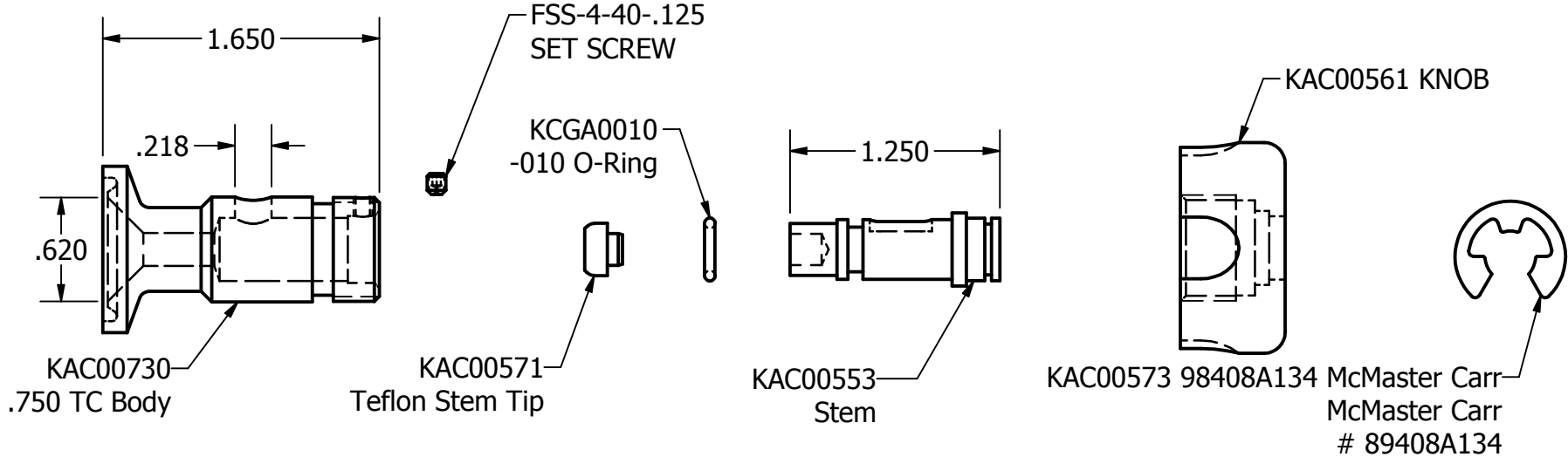


2

1

B

B



A

A

REVISION HISTORY		
REV	DESCRIPTION	DATE
1	KAC00560M WAS MAC00560 & KAC00566	1/9/14
2	KAC00561 WAS KAC00560M	8/1/17

TOLERANCES	DRAWN M. GOLABEK 11/1/2010
DECIMALS: .XX ±.015 .XXX ±.005 .XXXX ±.0005 ANGLES: 1°	ALL EDGES AND FILLETS .015 R UNLESS OTHERWISE SPECIFIED

Steel & O'Brien Mfg. Inc.	
TITLE .750 TC SAMPLE VALVE ASSY W/ RIGHT ANGLE .375 BARB	
DWG NO: KAC00731	REV 2
SCALE: 1 : 1	SHEET 1 OF 1

2

1

