

PART #	O.D. SIZ	PERF. SIZE	A	B	C	D	INSERT THK.
KET01500	1.500	.250	2.750	5.500	2.750	4.343	.075
KET01518	1.500	.125	2.750	5.500	2.750	4.343	.075
KET02000	2.000	.250	3.500	7.000	3.500	5.093	.075
KET02018	2.000	.125	3.500	7.000	3.500	5.093	.075
KET02500	2.500	.250	3.500	7.000	3.500	5.093	.109
KET02518	2.500	.125	3.500	7.000	3.500	5.093	.109
KET03000	3.000	.250	3.750	7.500	3.750	5.343	.109
KET03018	3.000	.125	3.750	7.500	3.750	5.343	.109
KET04000	4.000	.250	4.500	9.000	4.500	6.155	.109
KET04018	4.000	.125	4.500	9.000	4.500	6.155	.109

B

B

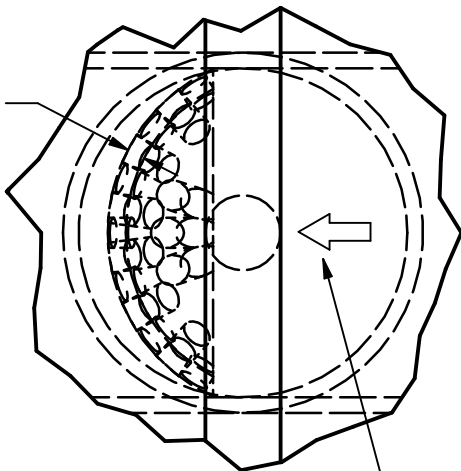
A

A

A

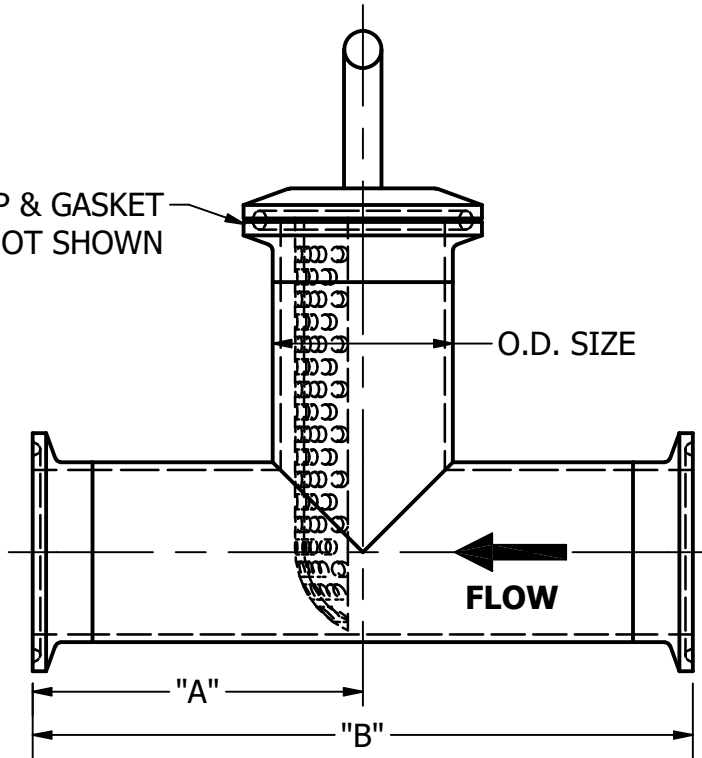
A

INSERT THK.



STAMP FLOW ARROW ON TOP OF CAP

CLAMP & GASKET NOT SHOWN

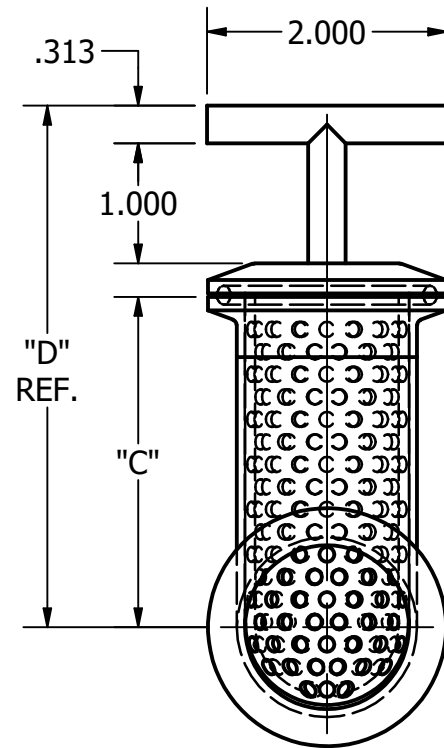


FLOW

O.D. SIZE

"A"

"B"



"D" REF.

"C"

NOTE:
- PERF PLATE SURFACE FINISH IS BEAD BLAST ONLY

TOLERANCES
REFER TO
STEEL & O'BRIEN
DOCUMENT # QS121

Steel & O'Brien Mfg. Inc.

TITLE
KET - TEE STRAINER W/ TC ENDS

DWG NO: **KET**

REV

SCALE: 3 : 4

SHEET 1 OF 1

2

1

1