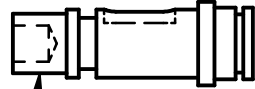


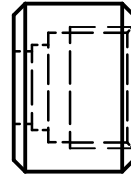
14WHR-.540X1.25X.312RAD
Sample Valve Barb



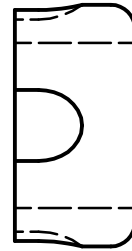
SVRA-TIP-.312X.2250



SVRA-STEM-ALL



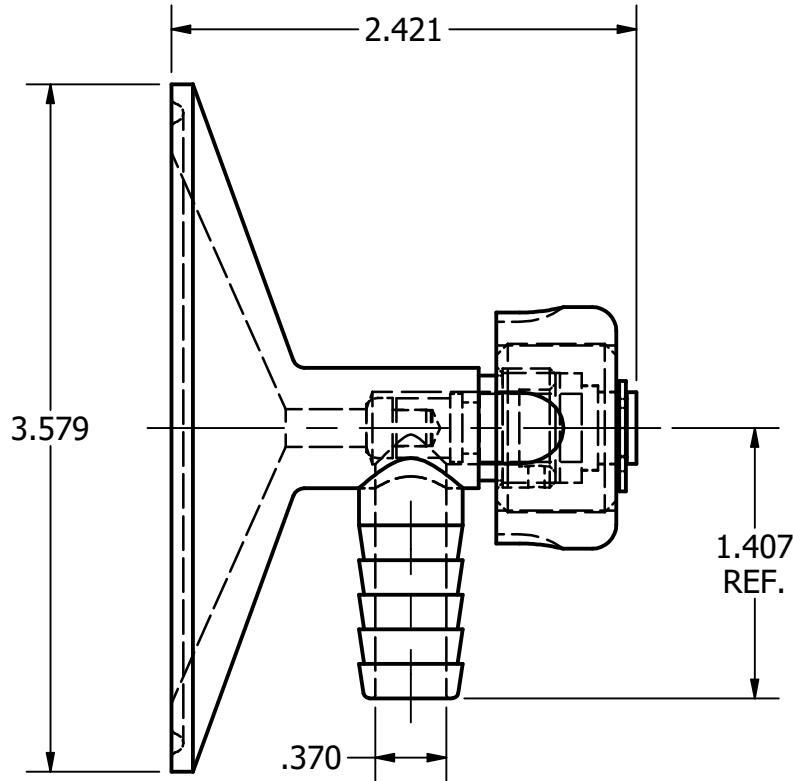
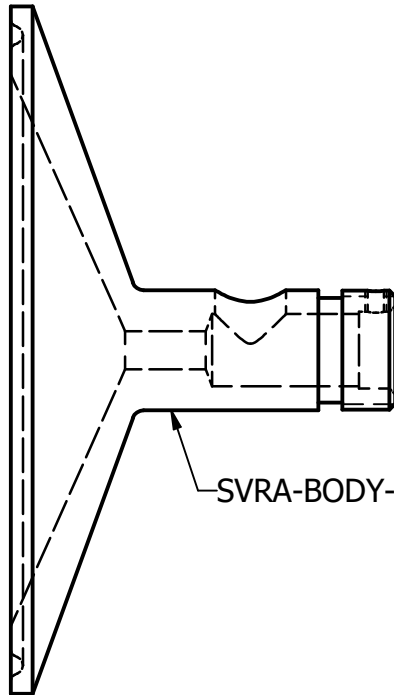
SVRA-KNOB-ONE-PIECE-PEEK-BLACK



SVRA-SNAPRING



SVRA-BODY-3TCX.370-T



REVISION HISTORY		
REV	DESCRIPTION	DATE
1	Added Nut Cover, KAC00560M was KAC00560 & KAC00566	1/15/14

TOLERANCES	DRAWN Engineering
	5/20/2009
DECIMALS: .XX ±.015 .XXX ±.005 .XXXX ±.0005 ANGLES: 1°	ALL EDGES AND FILLETS .015 R UNLESS OTHERWISE SPECIFIED

Steel & O'Brien Mfg. Inc.	
TITLE 3.0 TC SAMPLE VALVE ASSY W/ RIGHT ANGLE BARB	
DWG NO: SVRA-3X.50-CON	REV 1
SCALE: 1 : 1	SHEET 1 OF 1