

2

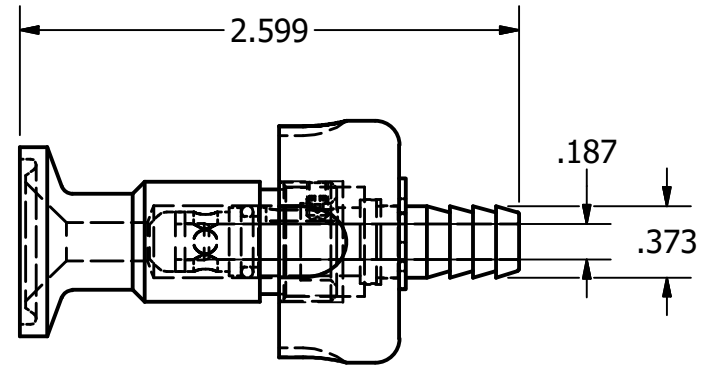
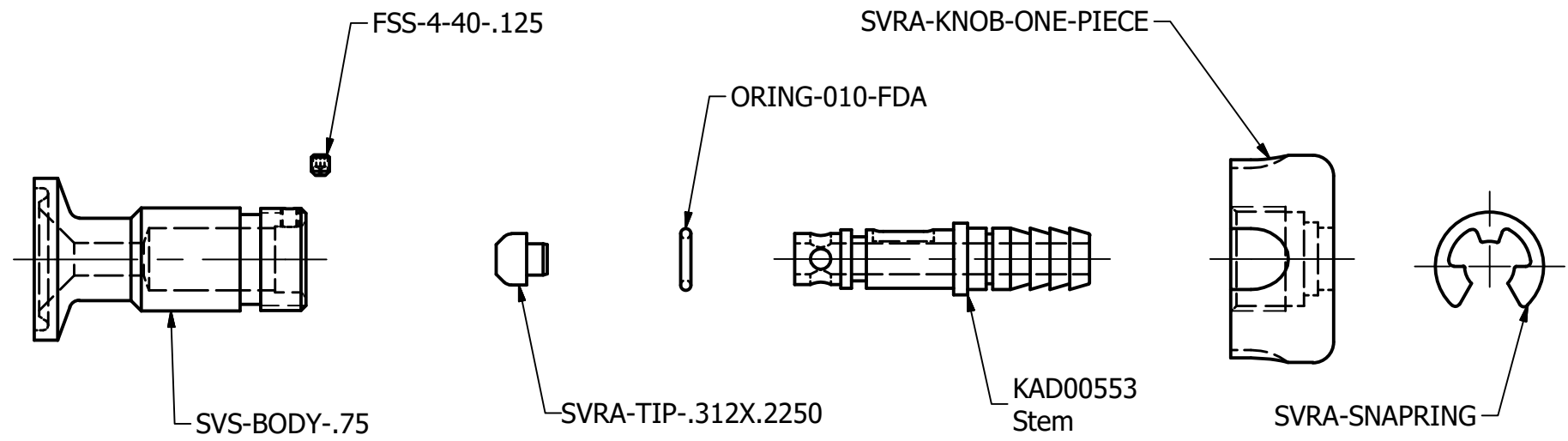
1

B

B

A

A



REVISION HISTORY		
REV	DESCRIPTION	DATE
1	KAC00560M WAS KAC00560 & KAC00566	1/15/14
2	KAC00561 WAS KAC00560M	8/2/17

TOLERANCES	DRAWN Engineering 11/14/2011
DECIMALS: .XX ±.015 .XXX ±.005 .XXXX ±.0005 ANGLES: 1°	ALL EDGES AND FILLETS .015 R UNLESS OTHERWISE SPECIFIED

Steel & O'Brien Mfg. Inc.	
TITLE .750 TC SAMPLE VALVE W/STRAIGHT 3/8 BARB	
DWG NO: SVS-.75X.375	REV 2
SCALE: 1 : 1	SHEET 1 OF 1

2

1

