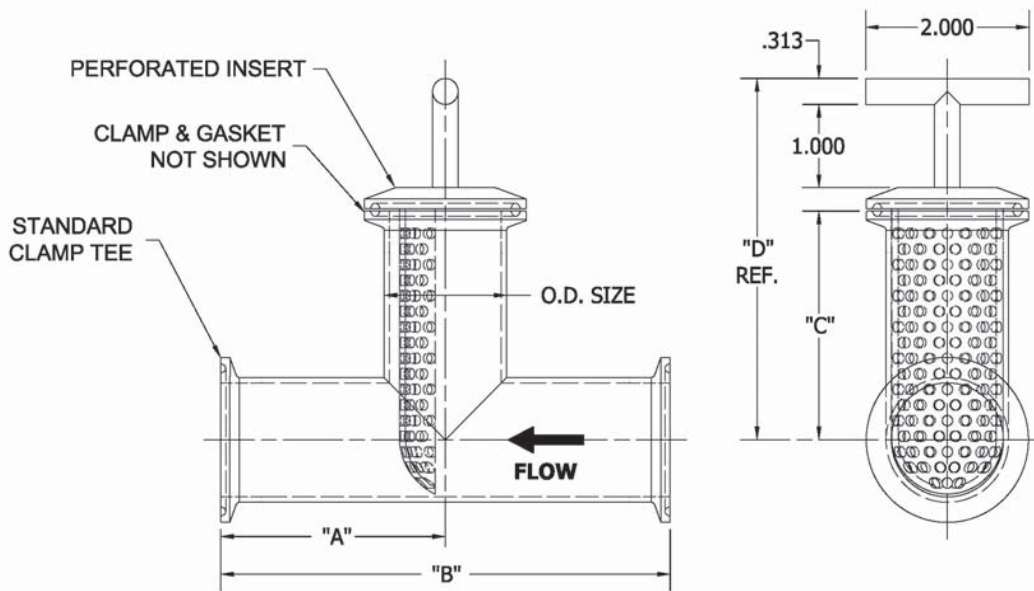


Clamp Tee Strainers are a simple and cost effective method to protect your pump and process equipment. Standard Tri-Clamp connections make installation and maintenance easy.

- 316L Stainless Steel Construction
- Tri-Clamp Connections
- Bead Blast Finish on Insert
- Fully Assembled w/EPDM Gasket



NOTE:
 - PERFORATED PLATE BEAD BLASTED
 - TEE POLISHED TO A 32Ra ID/OD

PART NUMBER	O.D. SIZE	PERF. SIZE	A	B	C	D	INSERT THICKNESS
KET01500	1-1/2	.250	2.750	5.500	2.750	4.343	.075
KET01518	1-1/2	.125	2.750	5.500	2.750	4.343	.075
KET02000	2	.250	3.500	7.000	3.500	5.093	.075
KET02018	2	.125	3.500	7.000	3.500	5.093	.075
KET02500	2-1/2	.250	3.500	7.000	3.500	5.093	.109
KET02518	2-1/2	.125	3.500	7.000	3.500	5.093	.109
KET03000	3	.250	3.750	7.500	3.750	5.343	.109
KET03018	3	.125	3.750	7.500	3.750	5.343	.109
KET04000	4	.250	4.500	9.000	4.500	6.155	.109
KET04018	4	.125	4.500	9.000	4.500	6.155	.109