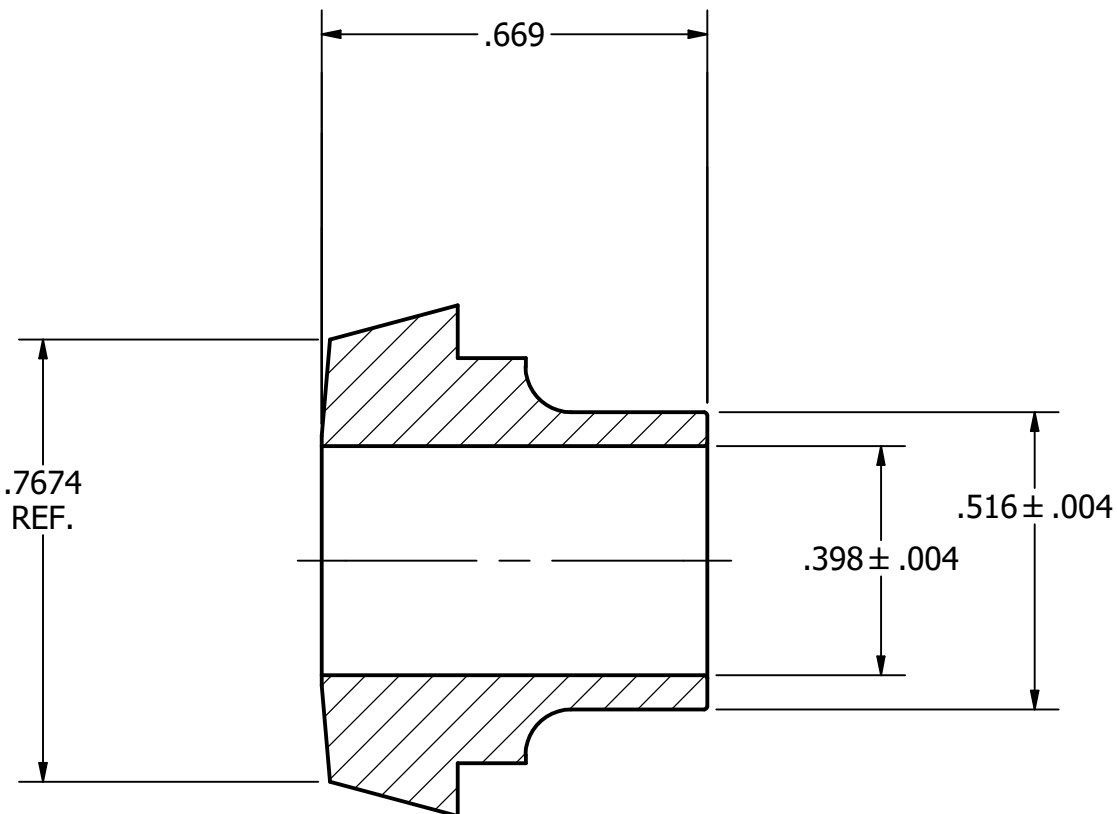


2

1

B

B



A

A

TOLERANCES		DRAWN K. Lane 12/16/2019		<b>Steel &amp; O'Brien Mfg. Inc.</b>	
DECIMALS: .XX ±.015 .XXX ±.005 .XXXX ±.0005 ANGLES: 1°		ALL EDGES AND FILLETS .015 R UNLESS OTHERWISE SPECIFIED			
REVISION HISTORY		DWG NO: <b>DN14SDM-DN10</b>		REV 1	
REV	DESCRIPTION	OLD	NEW	DATE	BY
1	UPDATE TO SPEC DIMS			1/8/2020	KL
SCALE: 2.5 : 1		SHEET 1 OF 1			

2

1



REV	DESCRIPTION	OLD	NEW	DATE	BY
1	UPDATE TO SPEC DIMS			1/8/2020	KL