

2

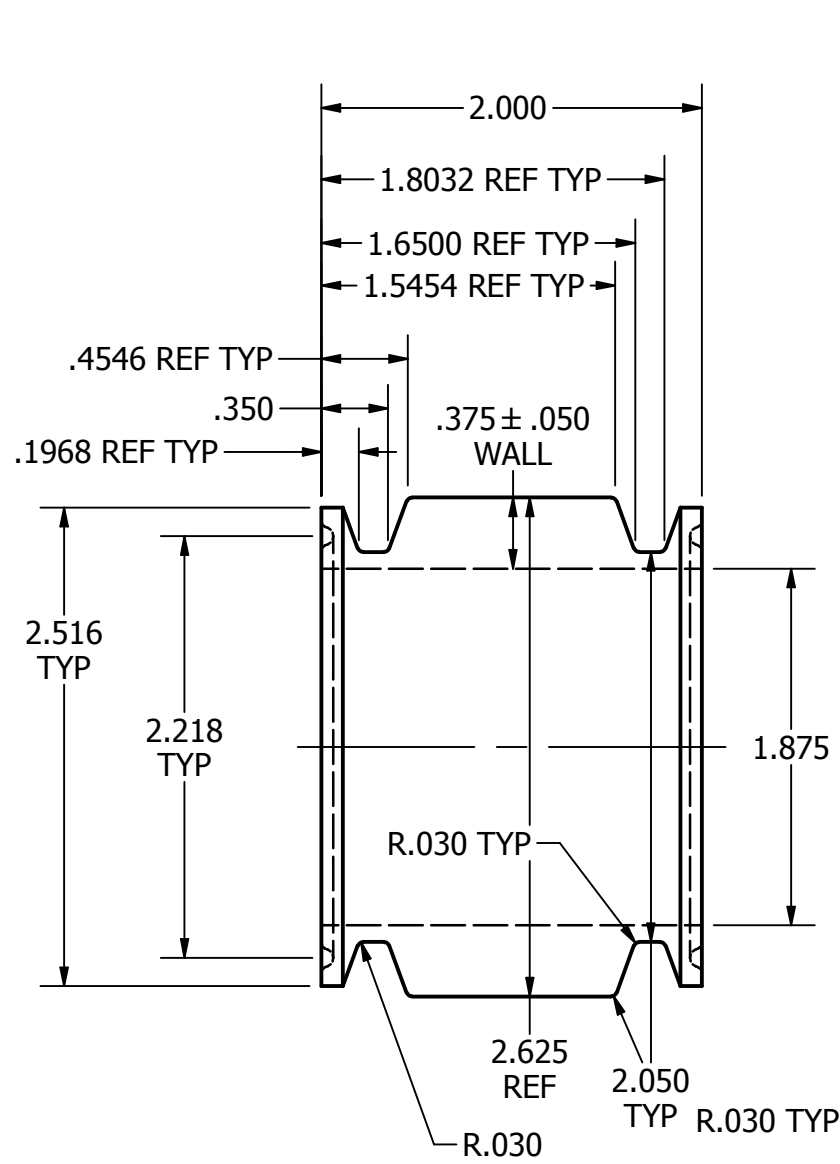
1

B

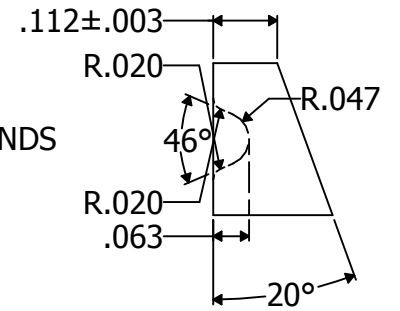
B

A

A



BOTH ENDS



TOLERANCES		DRAWN M. Golabek 11/29/2018		Steel & O'Brien Mfg. Inc.	
DECIMALS: .XX ±.015 .XXX ±.005 .XXXX ±.0005 ANGLES: 1°		ALL EDGES AND FILLETS .015 R UNLESS OTHERWISE SPECIFIED			
				DWG NO: 54SPOOLMP-2	
				SCALE: 1 : 1	
				SHEET 1 OF 1	

2



1