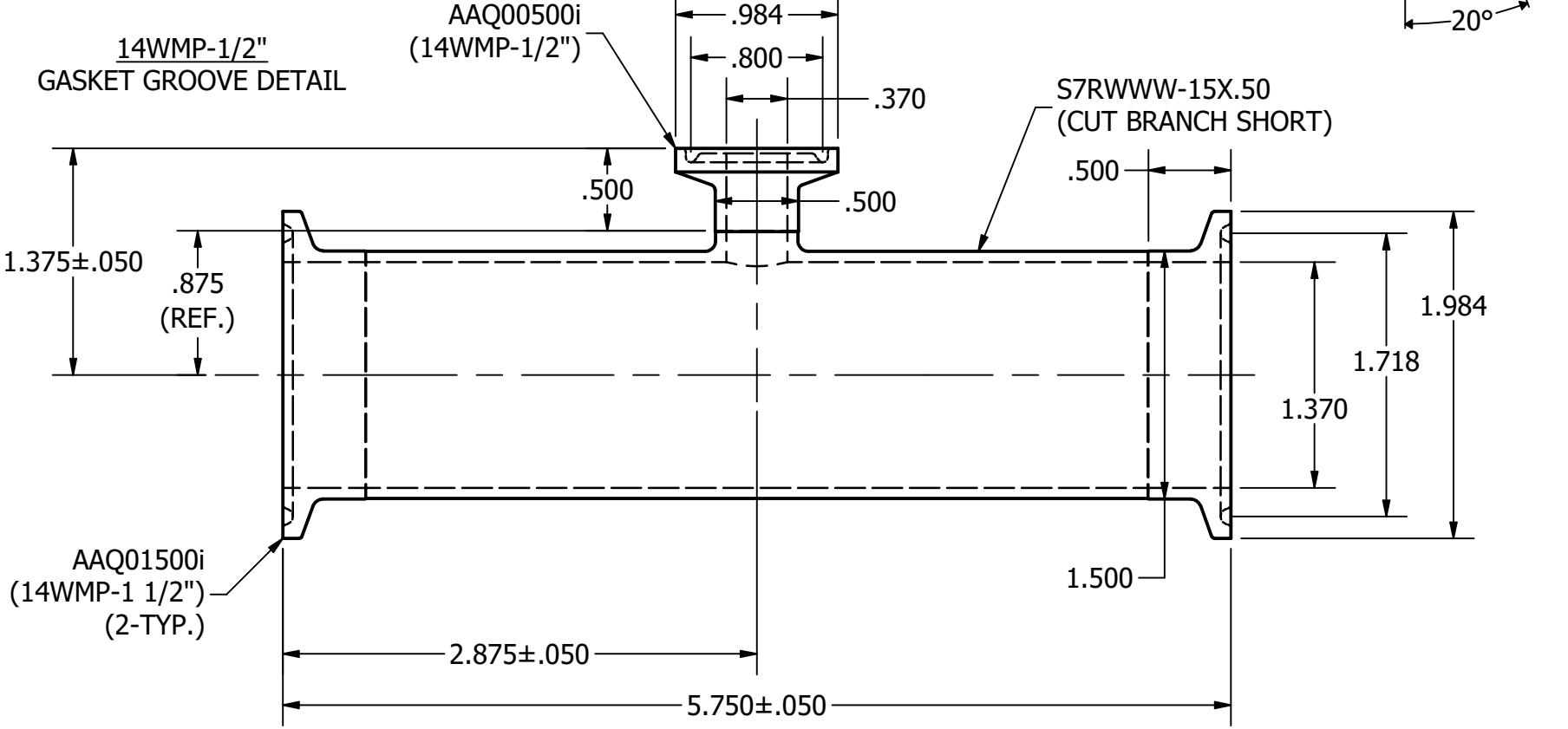
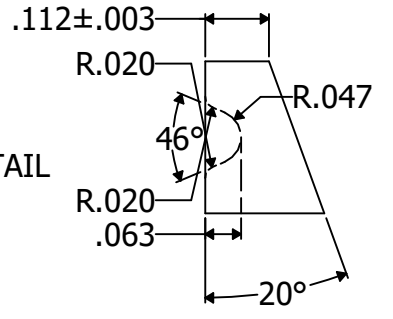


14WMP-1 1/2"
GASKET GROOVE DETAIL



TOLERANCES	DRAWN Engineering
DECIMALS: .XX ±.015 .XXX ±.005 ANGLES: 1°	10/31/2012
MAT'L: 316L	UNLESS OTHERWISE NOTED: >PART TO CONFORM TO THE LATEST ASME-BPE SPECIFICATION FOR TOLERANCES, MATERIAL AND MARKING

Steel & O'Brien Mfg. Inc.	
TITLE 1 1/2" x 1/2" TC SHORT OUTLET REDUCING TEE	
DWG NO: S7RMPS-1.5X.50	REV
SCALE: 1 : 1	SHEET 1 OF 1