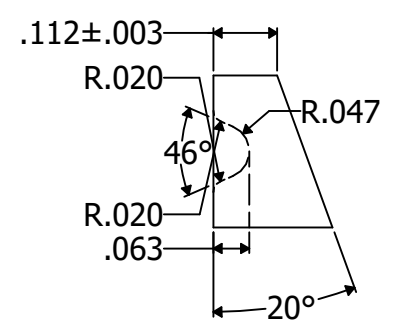


14WMP-3/4"
GASKET GROOVE DETAIL



14WMP-1 1/2"
GASKET GROOVE DETAIL

TOLERANCES	DRAWN Engineering
DECIMALS: .XX ±.015 .XXX ±.005 ANGLES: 1°	9/5/2012
MAT'L: 316L	UNLESS OTHERWISE NOTED: >PART TO CONFORM TO THE LATEST ASME-BPE SPECIFICATION FOR TOLERANCES, MATERIAL AND MARKING

Steel & O'Brien Mfg. Inc.	
TITLE 1 1/2" x 3/4" TC SHORT OUTLET BPE TEE	
DWG NO: S7RMPS-1.5X.75	REV
SCALE: 1 : 1	SHEET 1 OF 1