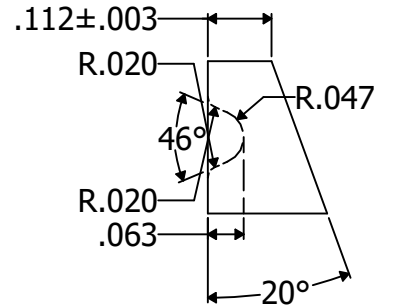
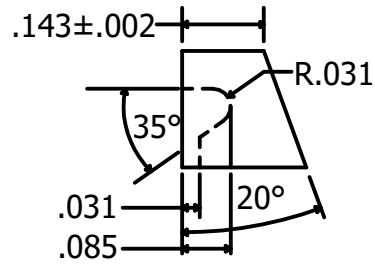


2

1



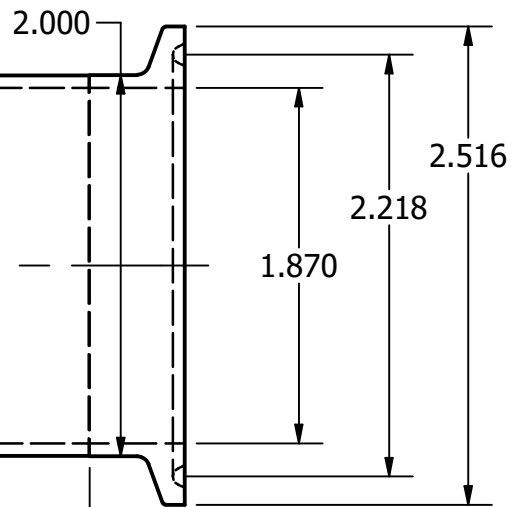
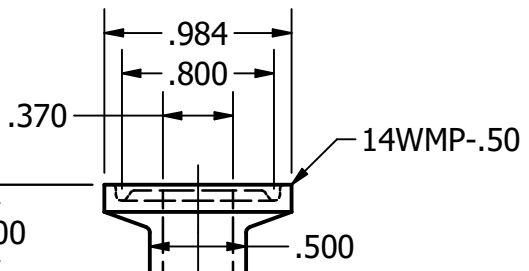
B

B

A

A

S7RWWW-2X.50
(CUT BRANCH SHORT)



14WMP-2
(2-TYP.)

3.375±.050

6.750±.050

TOLERANCES

DECIMALS:
.XX ±.015
.XXX ±.005
ANGLES: 1°

MAT'L:
316L

DRAWN
M. Golabek
8/21/2012

UNLESS OTHERWISE NOTED:
>PART TO CONFORM TO THE
LATEST ASME-BPE
SPECIFICATION FOR
TOLERANCES, MATERIAL AND
MARKING

Steel & O'Brien Mfg. Inc.

TITLE
**2.000 x .500 TC BPE CLAMP SHORT OUTLET REDUCING
TEE**

DWG NO: **S7RMPS-2X.50**

SCALE: 1 : 1

SHEET 1 OF 1

2

1

