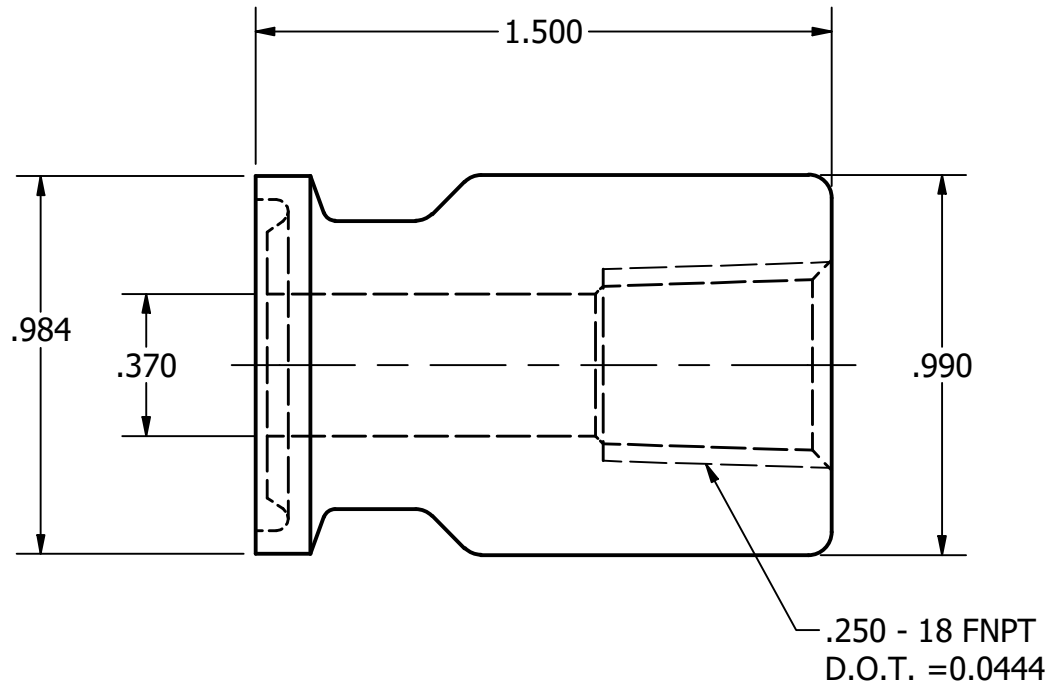


2

1

B

B



A

A

A

A

2

1

TOLERANCES		DRAWN Engineering	Steel & O'Brien Mfg. Inc.	
		2/15/2013		
DECIMALS: .XX ±.015 .XXX ±.005 .XXXX ±.0005 ANGLES: 1°		ALL EDGES AND FILLETS .015 R UNLESS OTHERWISE SPECIFIED		TITLE .500 TC X .250-18 FNPT 22MP
SCALE: 2 : 1			DWG NO: 22MP-.50X.25	REV
			SHEET 1 OF 1	