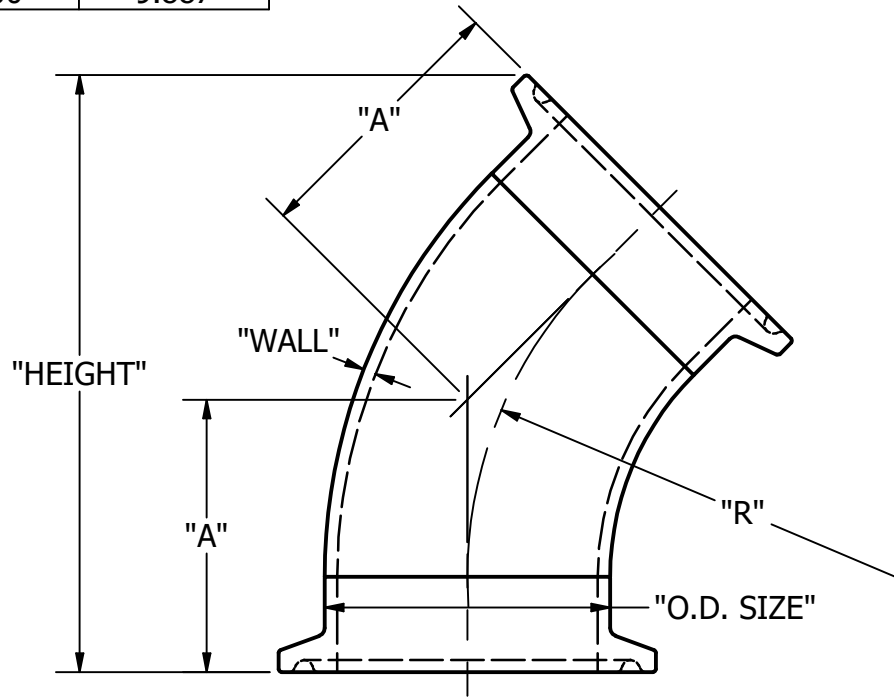


PART #	O.D. SIZE	"WALL"	"A"	"R"	"HEIGHT"
2KMP-.50	.500	.065	.781	.750	1.735
2KMP-.50L	.500	.065	.969	1.125	2.000
2KMP-.75	.750	.065	.969	1.125	2.000
2KMP-1	1.000	.065	1.125	1.500	2.624
2KMP-15	1.500	.065	1.438	2.250	3.155
2KMP-2	2.000	.065	1.750	3.000	3.873
2KMP-25	2.500	.065	2.063	3.750	4.584
2KMP-3	3.000	.065	2.375	4.500	5.301
2KMP-4	4.000	.083	3.125	6.000	6.965
2KMP-6	6.000	.109	4.500	9.000	9.887



TOLERANCES REFER TO STEEL & O'BRIEN DOCUMENT # QS121	Steel & O'Brien Mfg. Inc.	
	TITLE	
	2KMP - TC x TC 45 DEG ELBOW ASSEMBLY	
	DWG NO: 2KMP	REV
SCALE: 1 : 1		SHEET 1 OF 1

PART #	O.D. SIZE	"WALL"	"A"	"R"	"HEIGHT"
2KMP-.50	.500	.065	.781	.750	1.735
2KMP-.50L	.500	.065	.969	1.125	2.000
2KMP-.75	.750	.065	.969	1.125	2.000
2KMP-1	1.000	.065	1.125	1.500	2.624
2KMP-15	1.500	.065	1.438	2.250	3.155
2KMP-2	2.000	.065	1.750	3.000	3.873
2KMP-25	2.500	.065	2.063	3.750	4.584
2KMP-3	3.000	.065	2.375	4.500	5.301
2KMP-4	4.000	.083	3.125	6.000	6.965
2KMP-6	6.000	.109	4.500	9.000	9.887