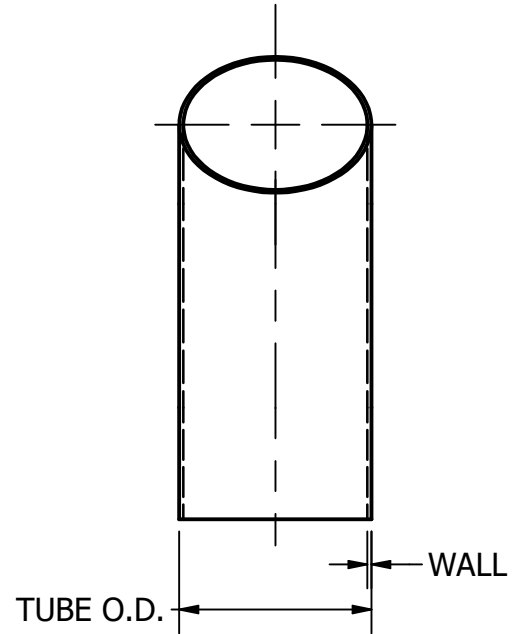
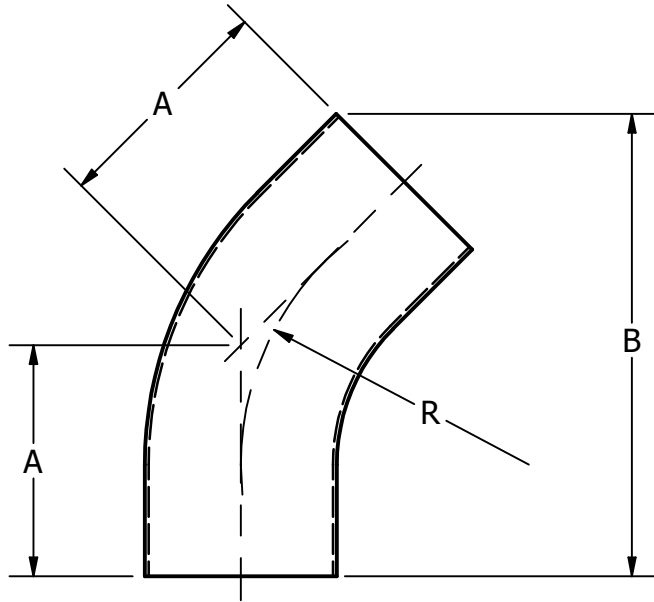


Part Number	TubeOD	Wall	A	B	Radius
L2KS-.50	0.500 in	0.065 in	2.250 in	4.018 in	0.750 in
L2KS-.50L	0.500 in	0.065 in	2.250 in	4.018 in	1.125 in
L2KS-.75	0.750 in	0.065 in	2.250 in	4.106 in	1.125 in
L2KS-1	1.000 in	0.065 in	1.188 in	2.382 in	1.500 in
L2KS-15	1.500 in	0.065 in	1.625 in	3.304 in	2.250 in
L2KS-2	2.000 in	0.065 in	2.313 in	4.656 in	3.000 in
L2KS-25	2.500 in	0.065 in	3.000 in	6.005 in	3.750 in
L2KS-3	3.000 in	0.065 in	3.688 in	7.357 in	4.500 in
L2KS-4	4.000 in	0.083 in	4.813 in	9.631 in	6.000 in
L2KS-6	6.000in	0.109 in	7.500 in	14.925 in	9.000 in



TOLERANCES	Steel & O'Brien Mfg. Inc.	
REFER TO STEEL & O'BRIEN DOCUMENT # QS121	TITLE 45 DEG. BW ELBOW, LONG	
	DWG NO: L2KS	REV 0
	SCALE: 1 : 1	SHEET 1 OF 1