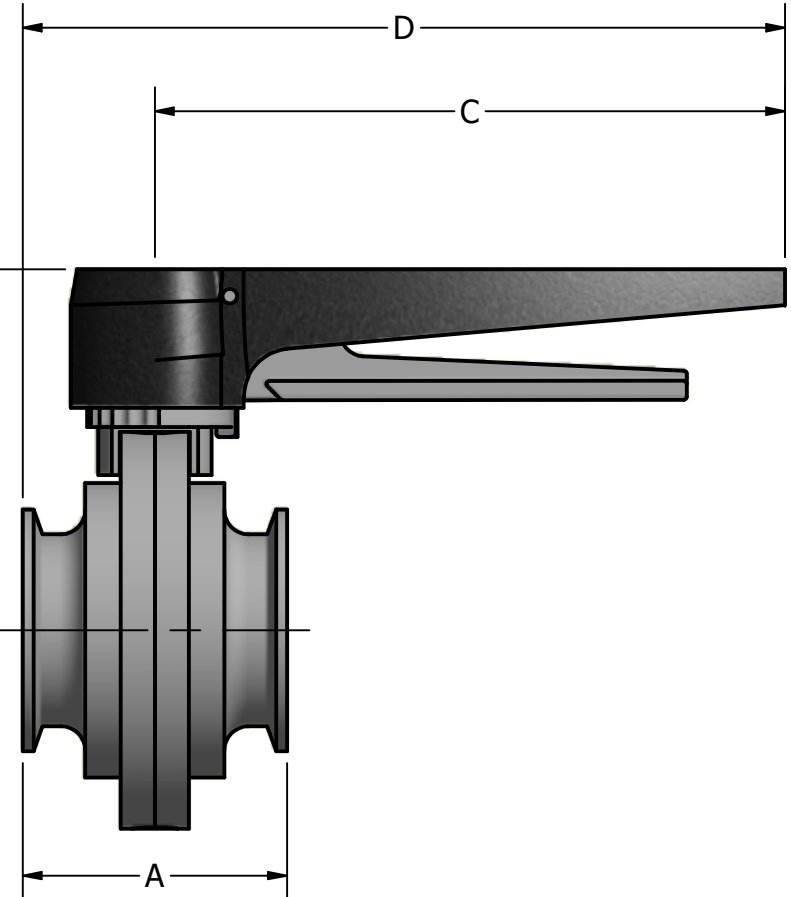


REFERENCE DIMENSIONS (inch)

PART#	OD SIZE	A	B	C	D
BFVTC-1	1.0" (25.40mm)	2.60	3.15	6.58	7.88
BFVTC-1.5	1.5" (37.10mm)	2.60	3.48	6.58	7.88
BFVTC-2	2.0" (50.80mm)	2.75	3.85	6.58	7.96
BFVTC-2.5	2.5" (63.50mm)	2.75	3.94	6.58	7.96
BFVTC-3	3.0" (76.20mm)	3.00	4.20	6.58	8.08
BFVTC-4	4.0" (101.60mm)	3.00	4.75	6.58	8.08

VALVE SEAT MATERIAL OPTIONS:
SILICONE-RED
VITON
EPDM



TOLERANCES	DRAWN J.Wojcik	Steel & O'Brien Mfg. Inc.	
	11/14/2011		
DECIMALS: .XX ±.015 .XXX ±.005 .XXXX ±.0005 ANGLES: 1°	ALL EDGES AND FILLETS .015 R UNLESS OTHERWISE SPECIFIED	TITLE	
		CLAMP END MULTI POSITION BUTTERFLY VALVE	
		DWG NO: BFVTC	REV
SCALE: 1 : 1		SHEET 1 OF 1	