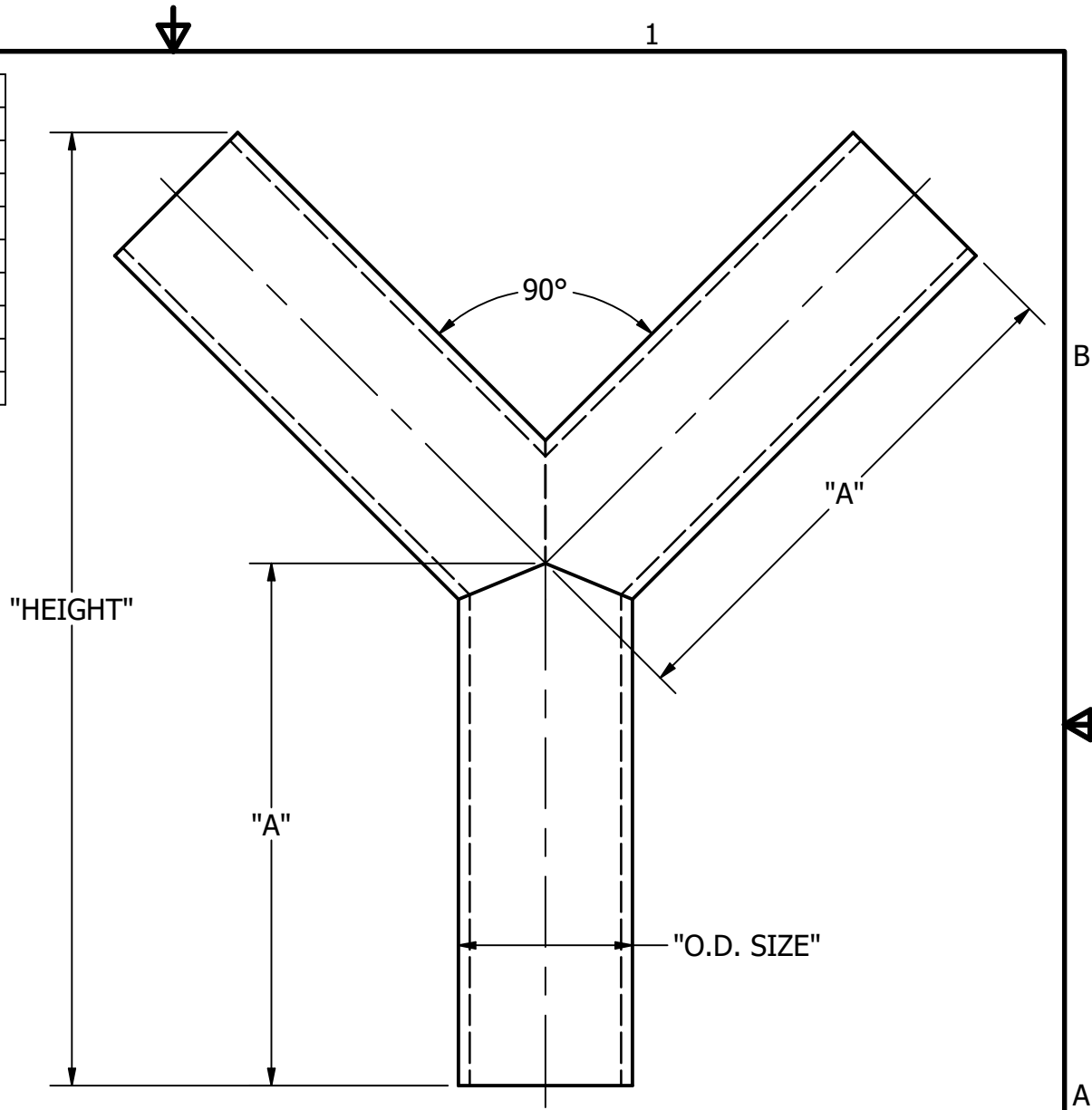


Part No.	O.D. Size	"A"	Height
28WB-.50	.500	2.000	3.591
28WB-.75	.750	2.000	3.680
28WB-1	1.000	3.000	5.475
28WB-1 1/2	1.500	3.000	5.652
28WB-2	2.000	4.000	7.536
28WB-2 1/2	2.500	5.000	9.420
28WB-3	3.000	6.000	11.304
28WB-4	4.000	8.000	15.072
28WB-6	6.000	8.000	15.779

ALL DIMENSIONS ARE IN INCHES



TOLERANCES REFER TO STEEL & O'BRIEN DOCUMENT # QS121	Steel & O'Brien Mfg. Inc.	
	TITLE 28WB TRUE WYE	
	DWG NO: 28WB	REV
	SCALE: NTS	SHEET 1 OF 1