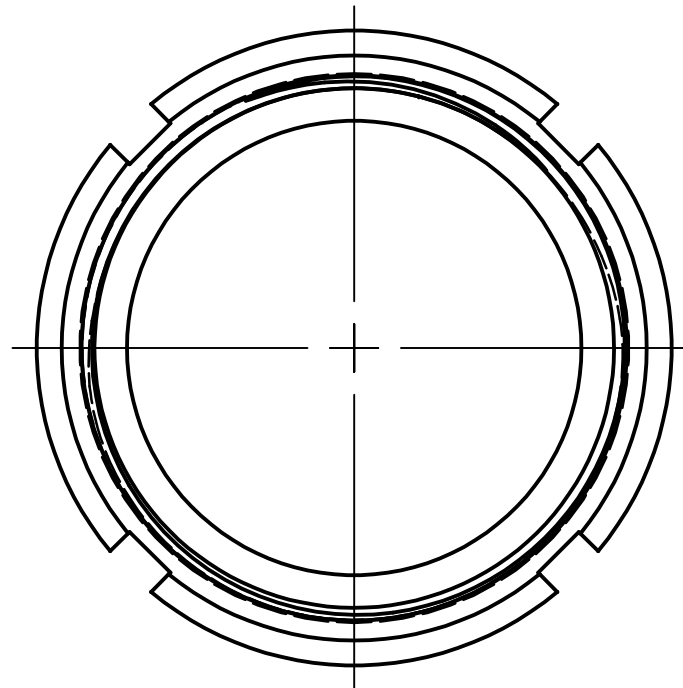
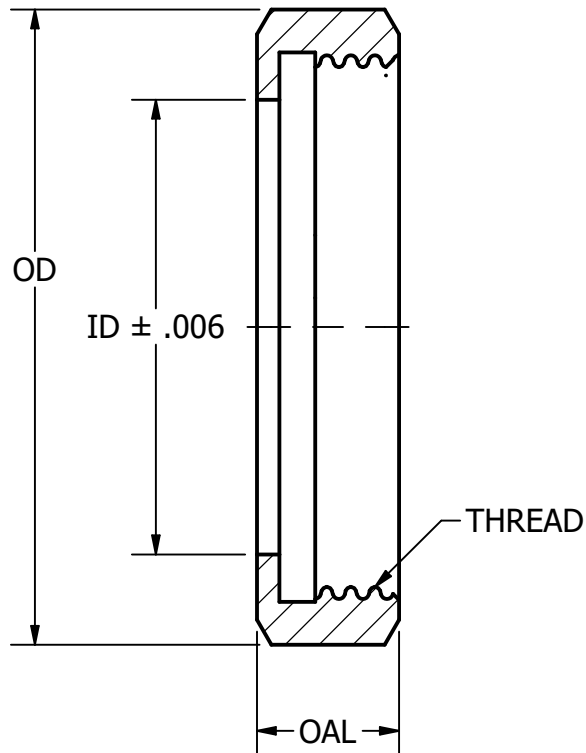


PART #	SIZE	OD	ID	OAL	THREAD
DN13R-DN10	DN10	1.496	.754	.709	RD28 x 1/8
DN13R-DN15	DN15	1.732	.990	.709	RD34 x 1/8
DN13R-DN20	DN20	2.126	1.226	.790	RD44 x 1/6
DN13R-DN25	DN25	2.480	1.423	.827	RD52 x 1/6
DN13R-DN32	DN32	2.756	1.659	.827	RD58 x 1/6
DN13R-DN40	DN40	3.071	1.935	.827	RD65 x 1/6
DN13R-DN50	DN50	3.622	2.447	.866	RD78 x 1/6
DN13R-DN65	DN65	4.409	3.156	.985	RD95 x 1/6
DN13R-DN80	DN80	5.000	3.707	1.181	RD110 x 1/4
DN13R-DN100	DN100	5.827	4.533	1.220	RD130 x 1/4
DN13R-DN125	DN125	7.008	5.439	1.378	RD160 x 1/4
DN13R-DN150	DN150	8.268	6.463	1.575	RD190 x 1/4

NOTE: SEE SHEET 2 FOR DIN SIZING SPECIFICATION COMPATIBILITY



TOLERANCES	Steel & O'Brien Mfg. Inc.	
	TITLE DIN 11851/11864 ROUND NUT	
	DWG NO: DN13R	REV
	SCALE: 1 : 1	SHEET 1 OF 2

REFER TO STEEL & O'BRIEN DOCUMENT # QS121

Steel & O'Brien Mfg. Inc.	
TITLE DIN 11851/11864 ROUND NUT	
DWG NO: DN13R	REV
SCALE: 1 : 1	SHEET 1 OF 2

PART #	SIZE	OD	ID	OAL	THREAD
DN13R-DN10	DN10	1.496	.754	.709	RD28 x 1/8
DN13R-DN15	DN15	1.732	.990	.709	RD34 x 1/8
DN13R-DN20	DN20	2.126	1.226	.790	RD44 x 1/6
DN13R-DN25	DN25	2.480	1.423	.827	RD52 x 1/6
DN13R-DN32	DN32	2.756	1.659	.827	RD58 x 1/6
DN13R-DN40	DN40	3.071	1.935	.827	RD65 x 1/6
DN13R-DN50	DN50	3.622	2.447	.866	RD78 x 1/6
DN13R-DN65	DN65	4.409	3.156	.985	RD95 x 1/6
DN13R-DN80	DN80	5.000	3.707	1.181	RD110 x 1/4
DN13R-DN100	DN100	5.827	4.533	1.220	RD130 x 1/4
DN13R-DN125	DN125	7.008	5.439	1.378	RD160 x 1/4
DN13R-DN150	DN150	8.268	6.463	1.575	RD190 x 1/4