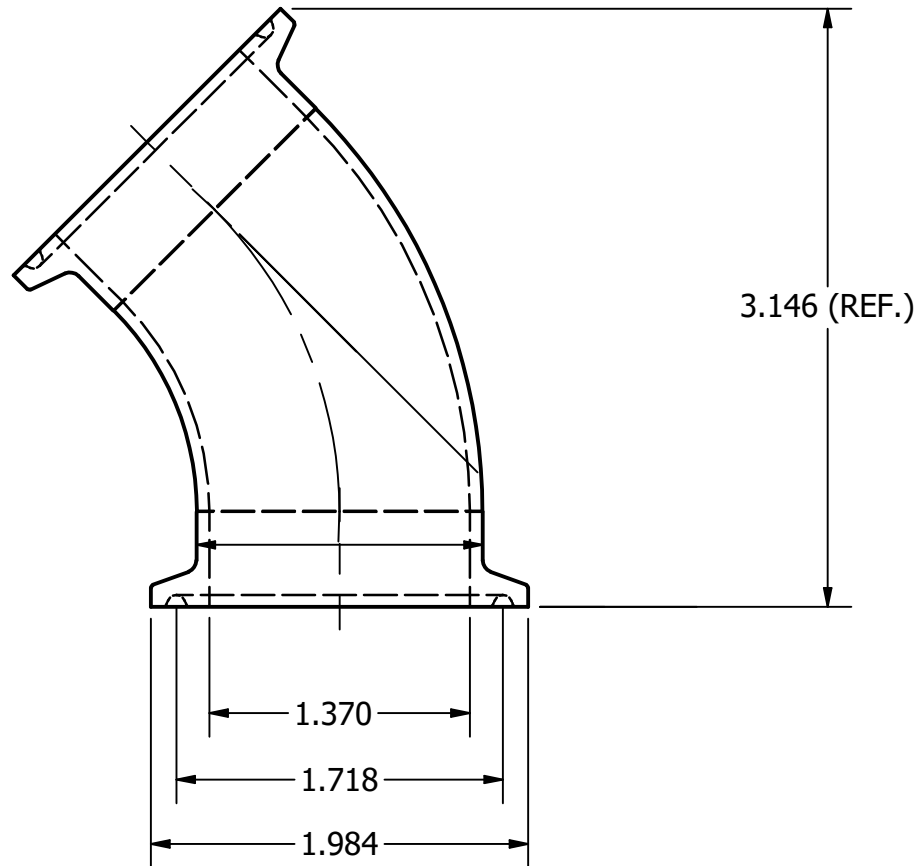


2

1

B

B



3.146 (REF.)

1.370

1.718

1.984

A

A

A

A

2

1

TOLERANCES	DRAWN Engineering	<b>Steel &amp; O'Brien Mfg. Inc.</b>	
DECIMALS: .XX ±.015 .XXX ±.005 ANGLES: 1°	10/23/2014		
MAT'L: 316L	<b>UNLESS OTHERWISE NOTED:</b> >PART TO CONFORM TO THE LATEST ASME-BPE SPECIFICATION FOR TOLERANCES, MATERIAL AND MARKING	TITLE 1 1/2" TC 45 DEG ELBOW	
		DWG NO: <b>S2KMP-1.5</b>	REV
		SCALE: 1 : 1	SHEET 1 OF 1