

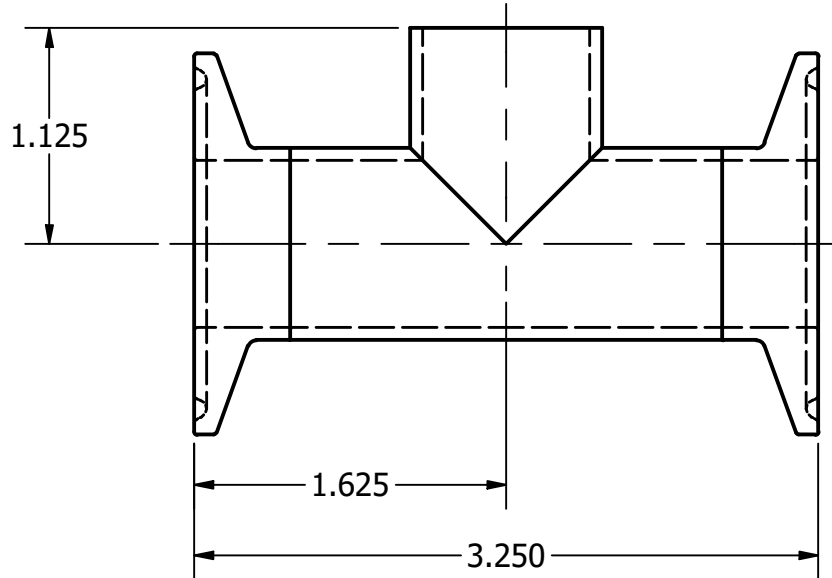
2



1

B

B



A

A

TOLERANCES		DRAWN K.Lane	Steel & O'Brien Mfg. Inc.	
DECIMALS: .XX ±.015 .XXX ±.005 .XXXX ±.0005 ANGLES: 1°		11/1/2016		
		<ALL EDGES AND FILLETS .015 R UNLESS OTHERWISE SPECIFIED <REFER TO DOC# QS121 FOR GENERAL TOLERANCES	TITLE 1" TC x 1" TC X 1" BW TEE	
			DWG NO: 7MMW-1	REV
			SCALE: 1 : 1	SHEET 1 OF 1

2



1