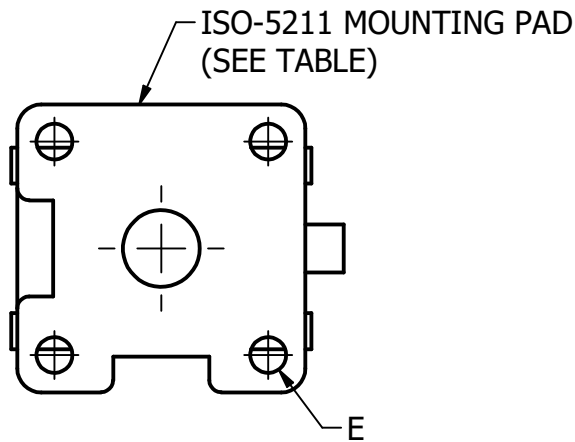
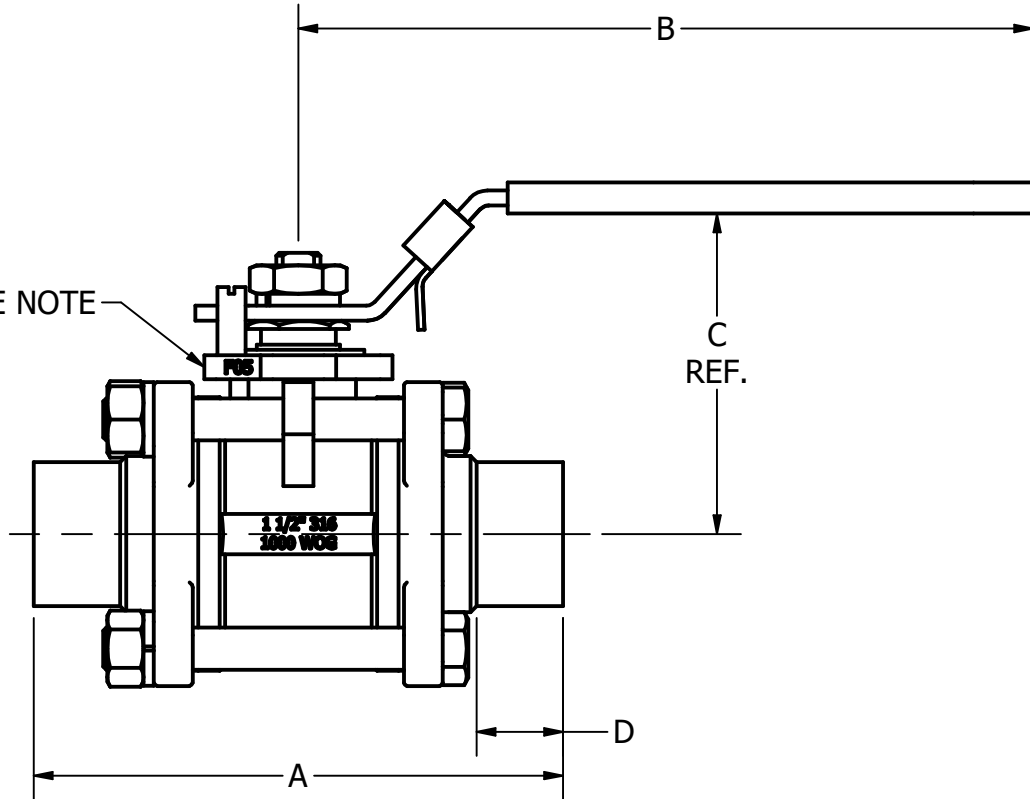


Part #	Tube Size	A	B	C	D	E	SHELL PRESSURE	ISO-5211
BLV2W-.50	.500"	3.50"	5.20"	2.362	.76	M5-0.8	1000 WOG	F03
BLV2W-.75	.750"	3.98"	5.18"	2.539	1.00	M5-0.8	1000 WOG	F03
BLV2W-1	1.000"	4.49"	6.50"	2.717	1.06	M5-0.8	1000 WOG	F04
BLV2W-1.5	1.500"	5.51"	7.65"	3.307	1.13	M6-1	1000 WOG	F05
BLV2W-2	2.000"	6.14"	7.65"	3.622	1.25	M6-1	1000 WOG	F05
BLV2W-2.5	2.500"	7.76"	9.92"	5.000	1.47	M8-1.25	600 WOG	F07
BLV2W-3	3.000"	9.02"	9.92"	5.354	1.80	M8-1.25	600 WOG	F07
BLV2W-4	4.000"	9.57"	13.07"	6.260	1.55	M10-1.5	600 WOG	F10

WOG - WATER, OIL AND GAS VALVES



SEE NOTE



NOTE: INSPECT THREADED HOLES ON PAD FOR BURRS AND STRAIGHTNESS

REVISION HISTORY			
REV	DESCRIPTION	DATE	BY
1	Updated print, Added inspection note	5/22/15	
2	ADDED ISO MOUNTING PAD DETAIL/ COLUMN D	5/18/17	KL
3	ADDED COLUMN C	5/20/19	KL
4	REMOVED PSI / ADDED SHELL PRESSURE	12/7/2021	LB

TOLERANCES
REFER TO STEEL & O'BRIEN DOCUMENT # QS121

<b>Steel &amp; O'Brien Mfg. Inc.</b>	
TITLE BW 3-PIECE BALL VALVE W/MANUAL HANDLE	
DWG NO: <b>BLV2W</b>	REV 4
SCALE: 1 : 2	SHEET 1 OF 1

Part #	Tube Size	A	B	C	D	E	SHELL PRESSURE	ISO-5211
BLV2W-.50	.500"	3.50"	5.20"	2.362	.76	M5-0.8	1000 WOG	F03
BLV2W-.75	.750"	3.98"	5.18"	2.539	1.00	M5-0.8	1000 WOG	F03
BLV2W-1	1.000"	4.49"	6.50"	2.717	1.06	M5-0.8	1000 WOG	F04
BLV2W-1.5	1.500"	5.51"	7.65"	3.307	1.13	M6-1	1000 WOG	F05
BLV2W-2	2.000"	6.14"	7.65"	3.622	1.25	M6-1	1000 WOG	F05
BLV2W-2.5	2.500"	7.76"	9.92"	5.000	1.47	M8-1.25	600 WOG	F07
BLV2W-3	3.000"	9.02"	9.92"	5.354	1.80	M8-1.25	600 WOG	F07
BLV2W-4	4.000"	9.57"	13.07"	6.260	1.55	M10-1.5	600 WOG	F10

REV	DESCRIPTION	DATE	BY
1	Updated print, Added inspection note	5/22/15	
2	ADDED ISO MOUNTING PAD DETAIL/ COLUMN D	5/18/17	KL
3	ADDED COLUMN C	5/20/19	KL
4	REMOVED PSI / ADDED SHELL PRESSURE	12/7/2021	LB