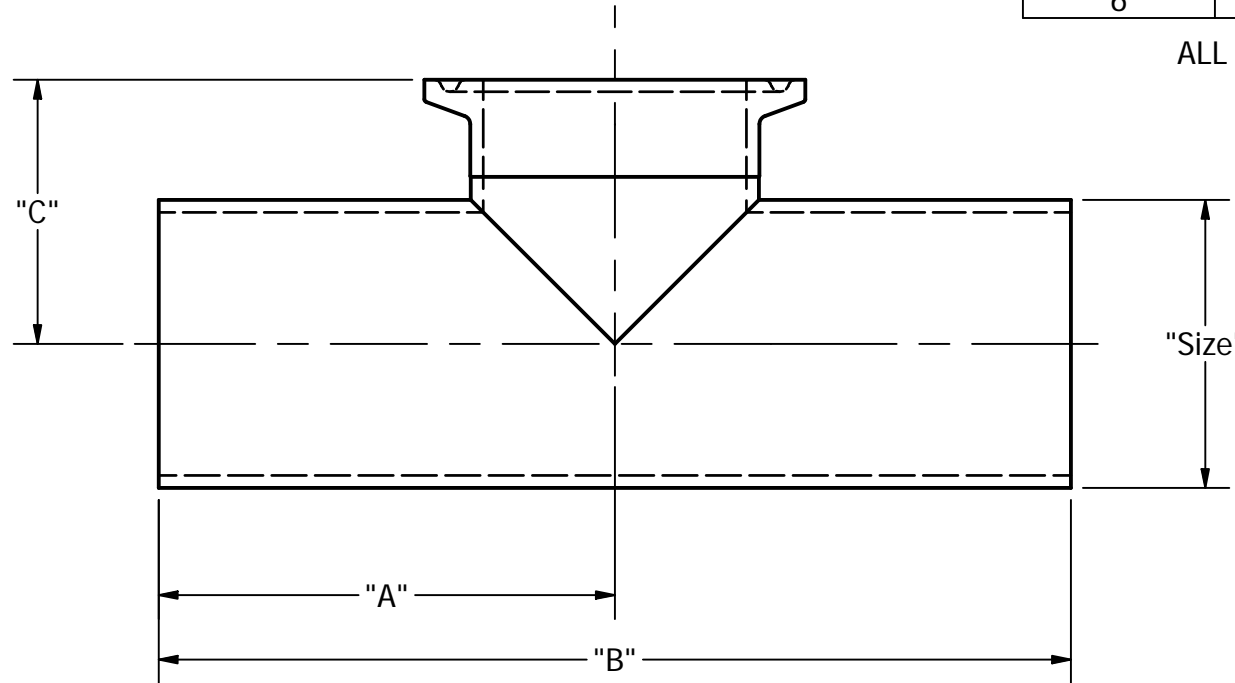


Size	"A"	"B"	"C"
1/2	1.875	3.750	1.000
3/4	2.000	4.000	1.125
1	2.125	4.250	1.125
1 1/2	2.375	4.750	1.375
2	2.875	5.750	1.625
2 1/2	3.125	6.250	1.875
3	3.375	6.750	2.125
4	4.125	8.250	2.750
6	5.625	11.250	4.625

ALL DIMENSIONS ARE IN INCHES



TOLERANCES & MATERIAL	Steel & O'Brien Mfg. Inc.	
REFER TO LATEST ASME-BPE PUBLICATION	TITLE EXTENDED TANGENT x TC SHORT OUTLET TEE S7SWWK	
	DWG NO: S7SWWK	REV
	SCALE: NTS	SHEET 1 OF 1