



MODEL SSTC - SANITARY SIGHT GLASS

Description:

Model SSTC sight glasses are designed for process observation in standard clamp ferrules. They are widely used in pharmaceutical, food, beverage, dairy and general processing industry. They are available in various materials of construction, and are for use in vacuum and pressure applications. SSTC sight glass assemblies are supplied with a standard clamp and clamp gasket. Welding ferrules are optional.

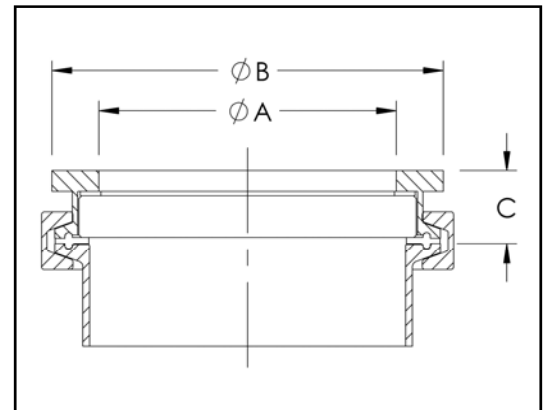
Operating conditions:

Standard units are designed for full vacuum and up to 150 psig., depending on size. Temperature rating is limited by the gasket material and/or lens material.

Options and accessories:

SSTC sight glasses can be supplied with the following options and accessories:

- Lighting units for hazardous or non-hazardous locations
- Low pressure wipers
- Various types of welding ferrules
- Special materials of construction



Model	Max. Pressure	"A"	"B"	"C"
SSTC-1.0"	150 PSIG/FV	1.1"	1.68"	3/4"
SSTC-1.5"	150 PSIG/FV	1.1"	1.68"	3/4"
SSTC-2.0"	150 PSIG/FV	1.6"	2.36"	3/4"
SSTC-2.5"	150 PSIG/FV	2.1"	3.06"	3/4"
SSTC-3.0"	150 PSIG/FV	2.6"	3.63"	3/4"
SSTC-4.0"	90 PSIG/FV	3.6"	4.75"	3/4"
SSTC-6.0"	65 PSIG/FV	5.1"	7.50"	13/16"
SSTC-8.0"	45 PSIG/FV	7.31"	9.00"	7/8"
SSTC-10.0"	30 PSIG/FV	9.00"	10.25"	1"
SSTC-12.0"	25 PSIG/FV	11.0"	12.25"	1-1/8"

Item: Description:

1. Retainer
2. Lens
3. Cushion Gasket
4. Clamp
5. Clamp Gasket
6. Weld Ferrule



Ordering Information:*

Model: SSTC							
Size:	Retainer:	Weld Ferrule:	Cushion Gasket:	Seal Gasket:	Lens:	Accessories:	
010: 1.0"	040: 4.0"	B: 304 SS	N: None	04: PTFE	A: Borosilicate	C: Wiper	
015: 1.5"	060: 6.0"	A: Long (L14AM7) 304L		02: EPDM	D: Polycarbonate	E: Light mounting	
020: 2.0"	080: 8.0"	B: Long (L14AM7) 316L		03: Buna-N	E: Acrylic	S: Bolted Clamp	
025: 2.5"	100: 10.0"	C: Heavy (14MPW) 304L		04: PTFE			
030: 3.0"	120: 12.0"	D: Heavy (14MPW) 316L		09: Viton®			
		F: ASME Ferrule, 316L		15: Silicone			

*Contact ARCHON for additional material options, temperature ratings or special configurations.