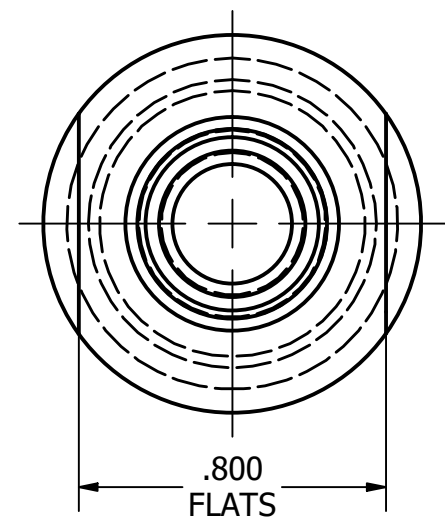


9/16-20 UN - 2A
 D.O.T. = .031
 PITCH DIA = .5266



| | | | | | |
|--|--|--|--|--------------------------------------|--|
| TOLERANCES | | DRAWN Engineering 6/6/2012 | | Steel & O'Brien Mfg. Inc. | |
| DECIMALS: .XX ±.015 .XXX ±.005 .XXXX ±.0005 ANGLES: 1° | | ALL EDGES AND FILLETS .015 R UNLESS OTHERWISE SPECIFIED | | | |
| | | | | DWG NO: 31-14-.50X.375 | |
| | | | | SCALE: 2 : 1 | |
| | | | | SHEET 1 OF 1 | |

