

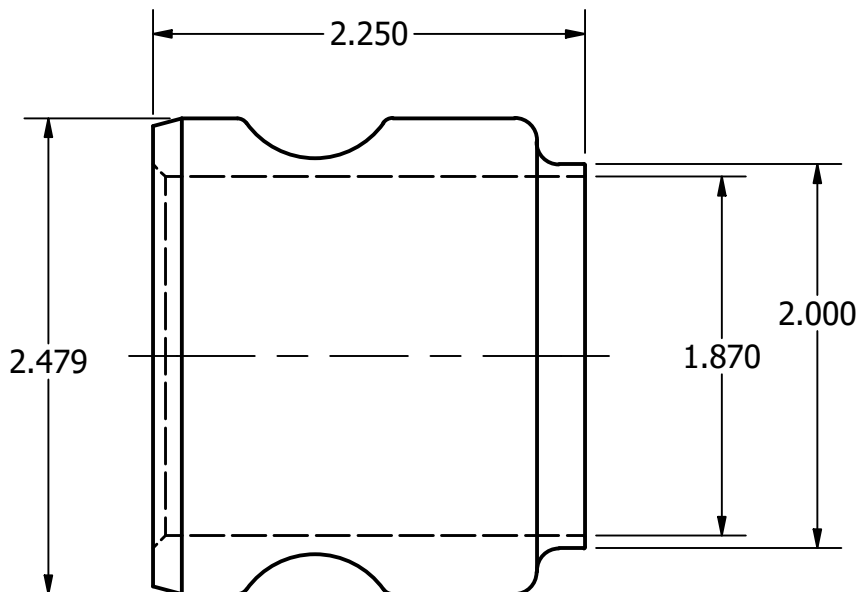
2



1

B

B



A

A

TOLERANCES		DRAWN M. Golabek 12/10/2009		Steel & O'Brien Mfg. Inc.	
DECIMALS: .XX ±.015 .XXX ±.005 .XXXX ±.0005 ANGLES: 1°		ALL EDGES AND FILLETS .015 R UNLESS OTHERWISE SPECIFIED			
				DWG NO: MJG02006	
				SCALE: 1 : 1	
				SHEET 1 OF 1	
				REV	

2



1