



PM15C1A



PM15C1C



Fillable

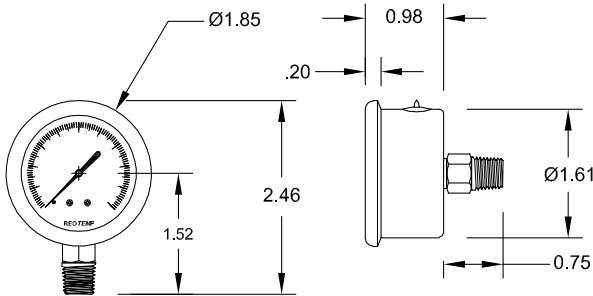
FEATURES / BENEFITS

- Stainless Steel Case and Crimped Ring
- Stainless Steel Wetted Parts
- Glycerin Filled or Dry/Fillable
- Compact Design for Space-Limited Installation



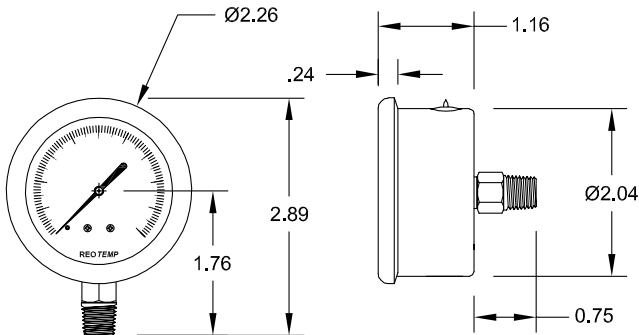
SPECIFICATIONS

Accuracy	3 - 2 - 3%, ASME Grade B
Ambient Limits	-40°F/140°F
Process Limits	-40°F/150°F
Process Limits with Diaphragm Seal	Cannot be mounted to a diaphragm seal.
Wetted Materials	Tube: 316SS Socket: 316SS
Lens	Plastic (Standard) or Glass
Other Materials	Case: 304SS Ring: 304SS Dial: White Aluminum, Black Letters Case-to-Socket: Screw Connection
Fillable	Yes
Restrictor Screw	Built-in, Non-Removable
Maximum Working Pressure	Stable = 100% Momentary = 110% of scale
Environmental Protection	NEMA 4X/IP65
Weight	1.5" = 0.15 lbs (0.25 lbs filled) 2" = 0.30 lbs (0.4 lbs filled)



PM15

*dimensions in inches



PM20

*dimensions in inches