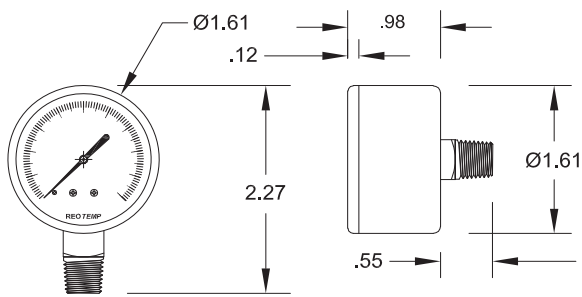




PD15

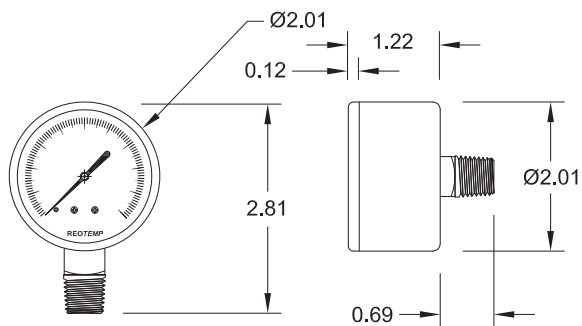
PD20

PD25



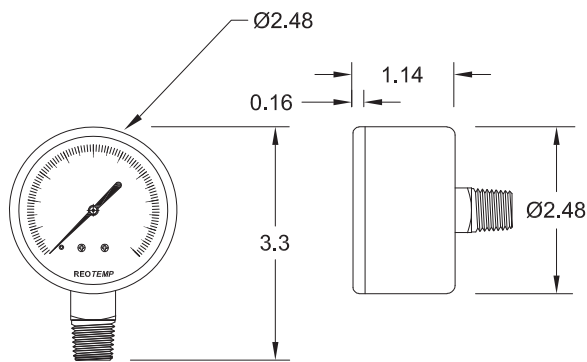
PD15

\*dimensions in inches



PD20

\*dimensions in inches



PD25

\*dimensions in inches

## FEATURES / BENEFITS

- Standard Black Steel Case with Snap-In Lens
- Copper Alloy Wetted Parts
- Cost Effective Design



## SPECIFICATIONS

|   |  |
|---|--|
| <b>Accuracy</b>                           | 3 - 2 - 3%, ASME Grade B   |
| <b>Ambient Limits</b>                     | -40°F/140°F  |
| <b>Process Limits</b>                     | -40°F/140°F  |
| <b>Process Limits with Diaphragm Seal</b> | Cannot Be Mounted to a Diaphragm Seal.   |
| <b>Wetted Materials</b>                   | Tube: Copper Alloy<br>Socket: Copper Alloy   |
| <b>Lens</b>                               | Plastic Snap-In or Glass Push-On Bezel   |
| <b>Other Materials</b>                    | Case: Black Painted Steel or Stainless Steel<br>Ring: Snap-In Lens or Push-On Bezel<br>Dial: White Aluminum, Black Letters<br>Case-to-socket: Screw Connection |
| <b>Fillable</b>                           | No   |
| <b>Restrictor Screw</b>                   | No   |
| <b>Maximum Working Pressure</b>           | Stable = 100%<br>Momentary = 110% of scale   |
| <b>Weight</b>                             | 1.5" = 0.1 lbs<br>2" = 0.2 lbs<br>2.5" = 0.25 lbs  |