

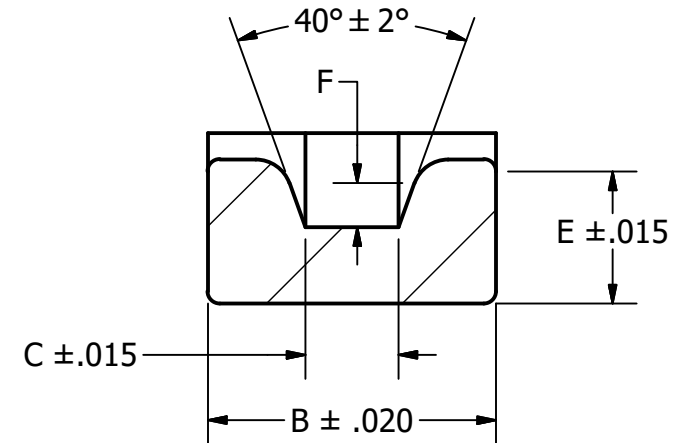
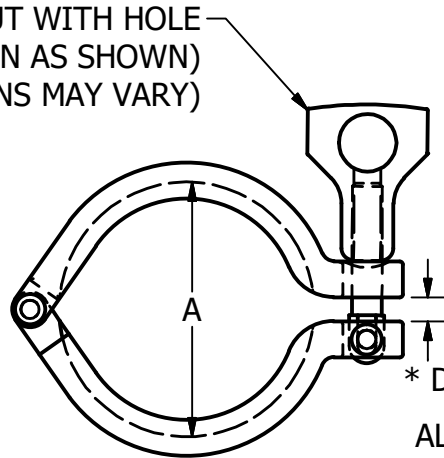
13MHHM - Single Pin Clamp

Size	Size	"A"	"B" (Ref.)
13MHHM-.50	1/2" & 3/4"	1.125	.750
13MHHM-1-A	1" TYPE "A"	1.481	.750
13MHHM-1	1" & 1 1/2"	2.122	.750
13MHHM-2	2"	2.654	.750
13MHHM-2.5	2 1/2"	3.185	.750
13MHHM-3	3"	3.717	.750
13MHHM-4	4"	4.820	.750
13MHHM-5	5"	5.820	.750
13MHHM-6	6"	6.695	1.000
13MHHM-8	8"	8.695	1.000
13MHHM-10	10"	10.695	1.000
13MHHM-12	12"	12.695	1.250

\*FOR GENERAL INFORMATION PURPOSES ONLY  
ACTUAL APPEARANCE MAY VARY.

Size	PSI	
	@ 70°F	@ 250°F
1/2" & 3/4"	1500	1200
1" TYPE A	500	300
1" & 1 1/2"	500	300
2"	450	300
2 1/2"	400	200
3"	350	195
4"	300	150
5"	150	75
6"	150	75
8"	100	50
10"	75	40
12"	50	25

WINGNUT WITH HOLE  
(DESIGN AS SHOWN)  
(DIMENSIONS MAY VARY)



ALL DIMENSIONS IN INCHES  
\* - ALL DIMENSIONS CHECKED FROM THIS DIMENSION

TOLERANCES	Steel & O'Brien Mfg. Inc.	
REFER TO STEEL & O'BRIEN DOCUMENT # QS121	TITLE	
	13MHHM - SINGLE PIN CLAMP	
	DWG NO: <b>13MHHM</b>	REV
	SCALE: NTS	SHEET 1 OF 1