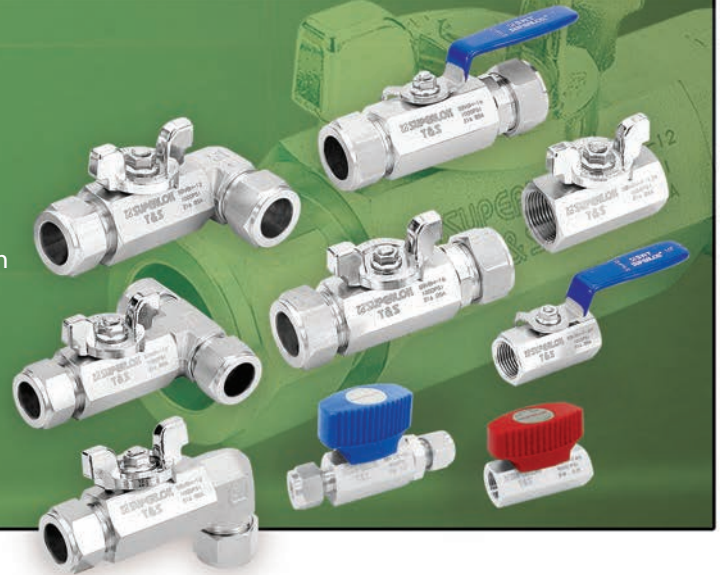


210 SERIES TWO PIECE TYPE

SBV210 Series

Features

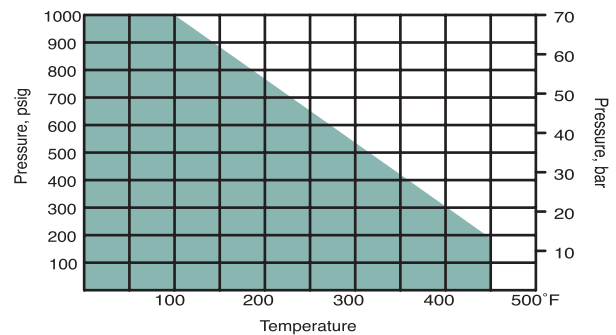
- Compact design
- Tight and smooth, low torque and easy operation
- Butterfly and lever handle available
- Variety of End Connections
- Each and every valve is tested at the factory



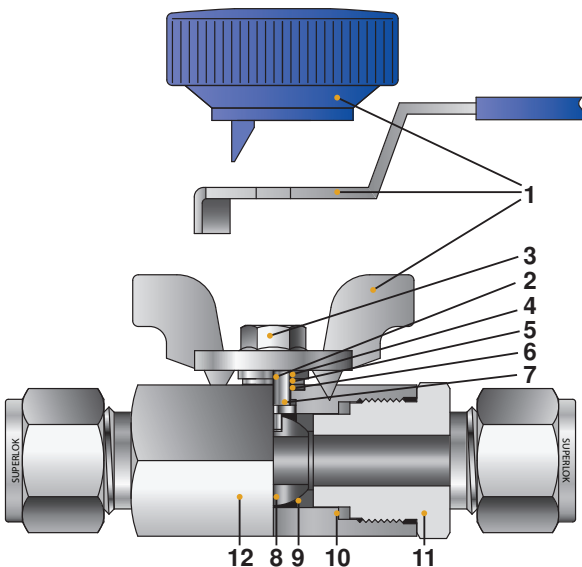
Specifications

Pressure rating	1000psig (69bar)@70°F (21°C)
Body material	316 stainless steel and Brass
Port Connections	1/4" to 1" and 6mm to 16mm
Orifice	5.0mm to 16.0mm

Pressure-Temperature Ratings



Materials of Construction



No.	Component	Material Grade / ASTM Specification	
		Stainless Steel	Brass
1	Handle	Plastic insulation handle	
		SS304 Lever handle with PVC color coated	
		Zinc butterfly handle with nickel plated	
2	Stem	SS316 / A276	
3	Lock Nut	Stainless Steel	
4	Upper Stem Washer	SS304 / A276	
5	Lower Stem Washer		
6	Upper Stem Seal	PTFE	
7	Lower Stem Seal		
8	Ball	SS316 / A276	
9	Seat	PTFE	
10	Connector Seal		
11	End Connector	SS316 / A276	Brass / B16
	Insert(for Female Thread)	SS316 / A276	
12	Body	SS316 / A276	Brass / B16

SBV210 Series

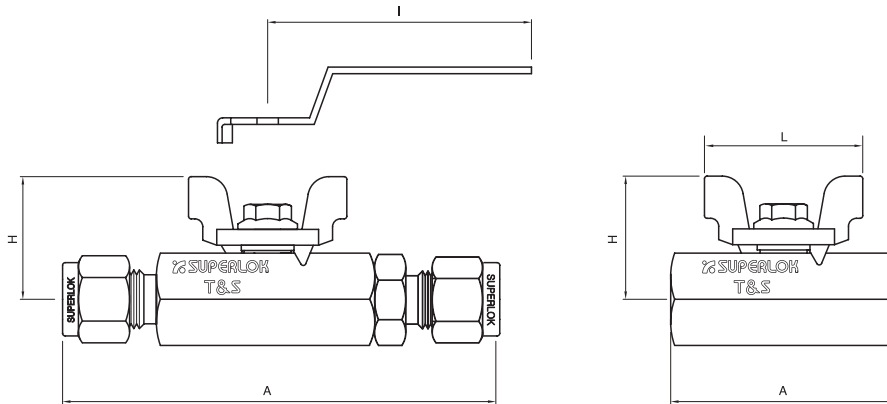


Table of dimensions

Order Number		Orifice (mm)	Cv	End Connections	Dimensions (mm)				
Series	Part No.				A	H	I	L	
SBV210	S	6M	5.0	1.25	6mm SUPERLOK	79.8	23.0	60.0	30.0
	S	4		1.25	1/4" SUPERLOK				
	F	4N		1.4	1/4" FEMALE NPT				
	S	10M	7.5	2.6	10mm SUPERLOK	91.5	31.0	90.0	48.0
	S	6		2.5	3/8" SUPERLOK				
	F	6N		2.6	3/8" FEMALE NPT				
	S	12M	9.0	9.5	12mm SUPERLOK	101.4	34.0	90.0	50.0
	S	8		9.5	1/2" SUPERLOK				
	F	8N		9.5	1/2" FEMALE NPT				
	S	16M	12.5	10.6	16mm SUPERLOK	107.6	39.0	100.0	55.0
	S	10		10.6	5/8" SUPERLOK				
	S	12		12.7	3/4" SUPERLOK				
	F	12N		12.7	3/4" FEMALE NPT				
	S	16	16.0	17.5	1" SUPERLOK	131.0	45.0	100.0	68.0
	F	16N		17.5	1" FEMALE NPT				

※ All dimensions are for reference only, subject to change

SBVA210 Series

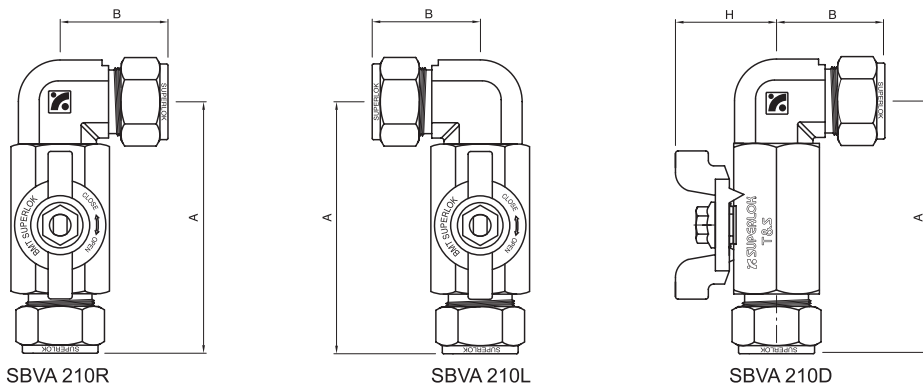
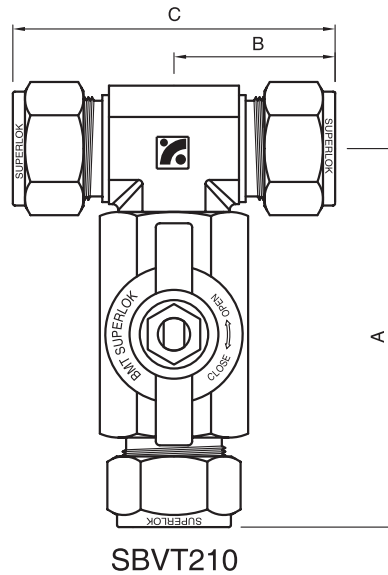


Table of dimensions

Order Number		Orifice (mm)	End Connections	Dimensions (mm)				
Series	Part No.			A	B	C	H	
SBVA210	S	4	5.0	1/4" SUPERLOK	65.3	30.5	61.0	23.0
	S	6	7.5	3/8" SUPERLOK	77.5	36.1	72.2	31.0
	S	8	9.0	1/2" SUPERLOK	87.9	38.1	76.2	34.0
	S	12	12.5	3/4" SUPERLOK	93.8	39.9	79.8	39.0
	S	16	16.0	1" SUPERLOK	115.3	49.0	98.0	45.0

※ All dimensions are for reference only, subject to change

SBVT210 Series



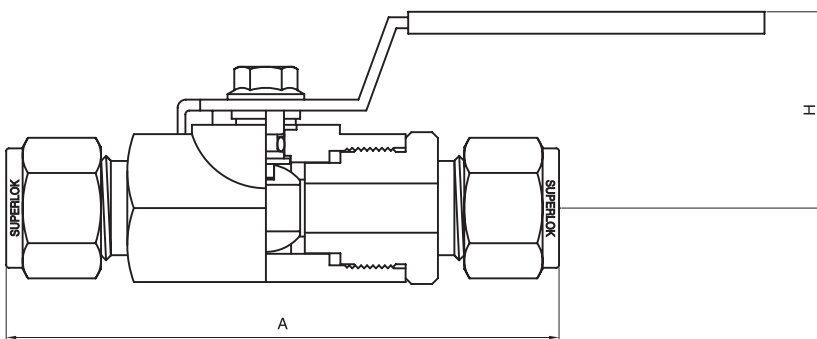
SBVT210

Table of dimensions

Order Number		Orifice (mm)	End Connections	Dimensions (mm)				
Series	Part No.			A	B	C	H	
SBVT210	S	4	5.0	1/4" SUPERLOK	65.3	30.5	61.0	23.0
	S	6	7.5	3/8" SUPERLOK	77.5	36.1	72.2	31.0
	S	8	9.0	1/2" SUPERLOK	87.9	38.1	76.2	34.0
	S	12	12.5	3/4" SUPERLOK	93.8	39.9	79.8	39.0
	S	16	16.0	1" SUPERLOK	115.3	49.0	98.0	45.0

※ All dimensions are for reference only, subject to change

SBV220 Series



Specifications

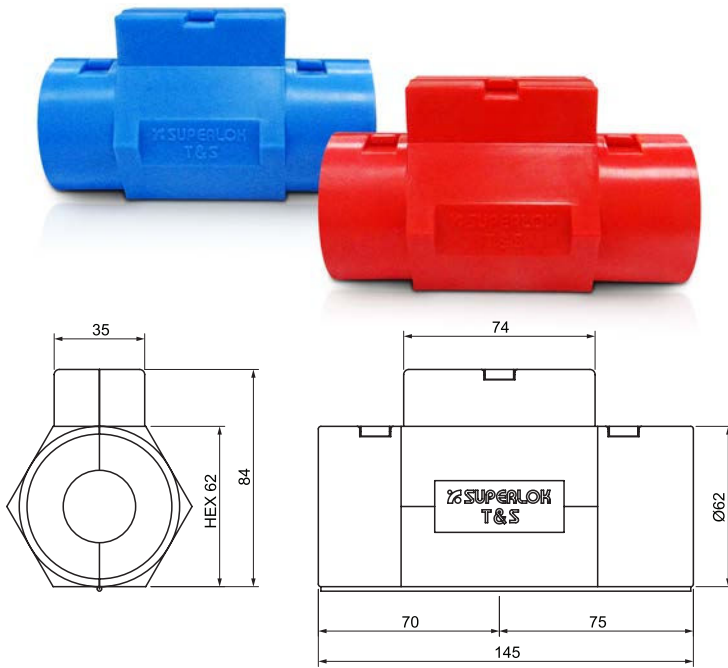
Pressure Rating	2000psig(138bar)@70°F21°C
Body Material	316 Stainless Steel
Port Connections	1/4" to 1"
Orifice	5.0mm to 16.0mm

Table of dimensions

Order Number		Orifice (mm)	End Connections	Dimensions (mm)		
Series	Part No.			A	H	
SBV220	S	4	5.0	1/4" SUPERLOK	79.8	26.0
	S	6	7.5	3/8" SUPERLOK	91.5	35.5
	S	8	9.0	1/2" SUPERLOK	101.4	36.5
	S	12	12.5	3/4" SUPERLOK	107.0	44.0
	S	16	16.0	1" SUPERLOK	131.0	47.0

※ All dimensions are for reference only, subject to change

Insulation Case



- To use Insulation case,
Be applied only 3/4", 1/2" size plastic insulation handle and 3/4", 1/2" Superlok end connection.
- Keep the temperature of fluids and handle position
- Easy and quick assembly
- Personnel protection from extreme equipment temperatures

Ordering Number

Part No.	Color	End Connections
SBV2103-IC-RD	Red	1/2" SUPERLOK
SBV2103-IC-BL	Blue	
SBV2104-IC-RD	Red	3/4" SUPERLOK
SBV2104-IC-BL	Blue	

Ordering Information

Example : **SBV210 - S 8 - BH - PE - SS**

1
2
3
4
5
6

1. Valve Series

- SBV210 ■ SBVA210 ■ SBVT210 ■ SBV220

2. End Connection

- S : SUPERLOK Tube Fitting ■ F : Female Thread

3. End Connection Size

-Tube O.D Designation

Tube O.D (inch)	1/4	3/8	1/2	3/4	1
Designation	4	6	8	12	16
Tube O.D (mm)	6	10	12	16	
Designation	6M	10M	12M	16M	

- Pipe Thread Designation

Size(inch)	1/4	3/8	1/2	3/4	1
Screwed NPT	4N	6N	8N	12N	16N
Screwed BSPT	4R	6R	8R	12R	12R

4. Handle Designator

- BLANK : Butterfly Handle(Standard) ■ BH : Bar Handle ■ INS : Insulation Handle
- ※SBV220 Series is available only with bar handle type.

Handle	Butterfly Handle				Bar Handle	Insulation Handle		
Color	Silver	Black	Blue	Red	Blue	Black	Blue	Red
Designation	Blank	BK	BL	RD	BH	INS-BK	INS-BL	INS-RD

5. Seat material Designator

- BLANK : PTFE(Standard) ■ PE : PEEK

6. Meterial Designator

- SS(BLANK) : 316 Stainless Steel ■ B : Brass