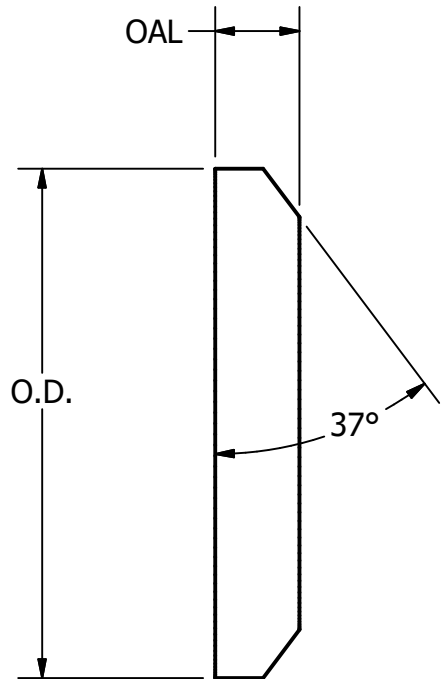


PART NO.	O.D.	OAL
16AQ-14Q-1	1.9865	.313
16AQ-14Q-1.5	1.9865	.313
16AQ-14Q-2	2.6430	.438
16AQ-14Q-2.5	3.3115	.500
16AQ-14Q-3	3.8725	.500
16AQ-14Q-4	4.8725	.625



TOLERANCES	Steel & O'Brien Mfg. Inc.	
REFER TO STEEL & O'BRIEN DOCUMENT # QS121	TITLE 16AQ-14Q END CAP	
	DWG NO: 16AQ-14Q	REV
	SCALE: N/A	SHEET 1 OF 1