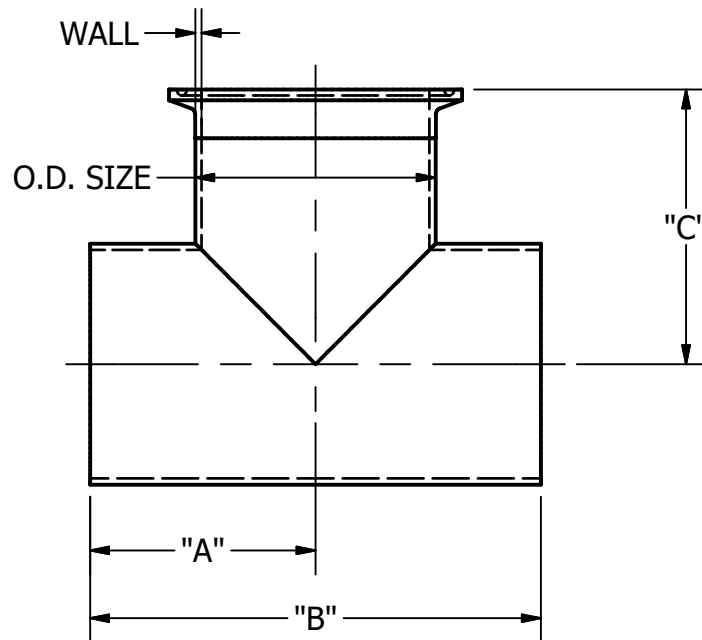


PART NO.	O.D. SIZE	WALL	"A"	"B"	"C"
7WWM-1	1.00	0.065	1.125	2.250	1.625
7WWM-1.5	1.50	0.065	1.656	3.312	2.156
7WWM-2	2.00	0.065	2.063	4.125	2.563
7WWM-2.5	2.50	0.065	2.344	4.688	2.844
7WWM-3	3.00	0.065	2.594	5.188	3.094
7WWM-4	4.00	0.083	3.438	6.875	4.063



TOLERANCES	<b>Steel &amp; O'Brien Mfg. Inc.</b>	
REFER TO STEEL & O'BRIEN DOCUMENT # QS121	TITLE 7WWM BW X BW X TC TEE	
	DWG NO: <b>7WWM</b>	REV
	SCALE: NTS	SHEET 1 OF 1