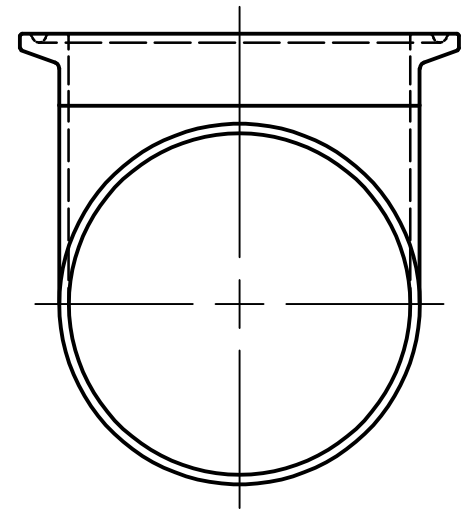
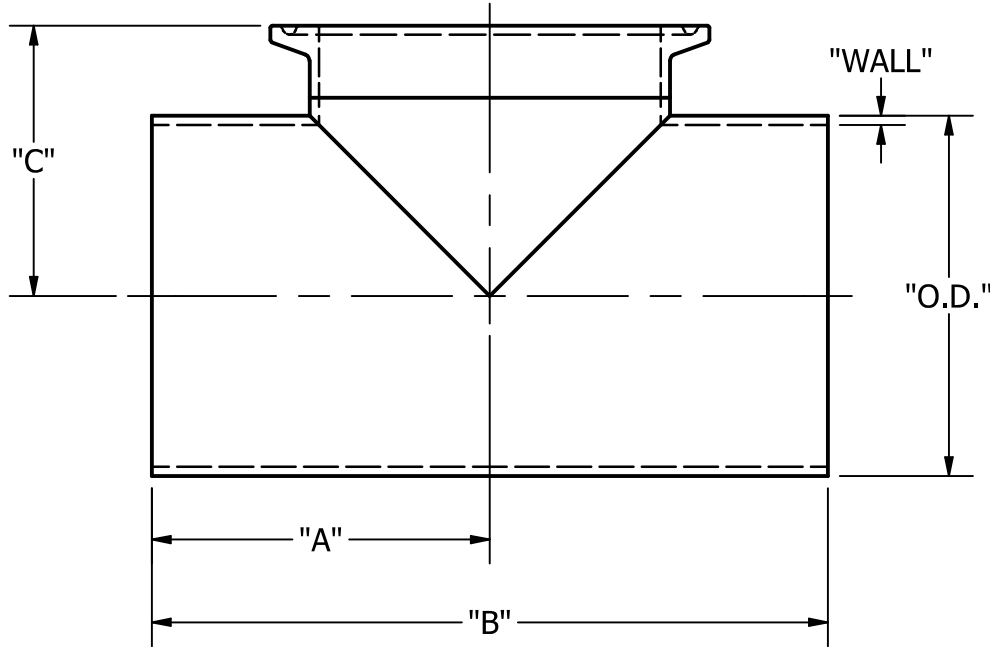


PART #	O.D. SIZE	WALL	"A"	"B"	"C"
7WWMS-.50	.500	.065	.750	1.500	1.000
7WWMS-.75	.750	.065	1.125	2.250	1.125
7WWMS-1	1.000	.065	1.125	2.250	1.125
7WWMS-125	1.250	.065	1.656	3.312	1.250
7WWMS-15	1.500	.065	1.656	3.312	1.375
7WWMS-2	2.000	.065	2.063	4.125	1.625
7WWMS-25	2.500	.065	2.343	4.688	1.875
7WWMS-3	3.000	.065	2.594	5.188	2.125
7WWMS-4	4.000	.083	3.438	6.875	2.750
7WWMS-6	6.000	.109	5.625	11.250	4.500



TOLERANCES REFER TO STEEL & O'BRIEN DOCUMENT # QS121	Steel & O'Brien Mfg. Inc.	
	TITLE 7WWMS - BW x BW x TC TEE	
	DWG NO: 7WWMS	REV
	SCALE: 3 : 4	SHEET 1 OF 1