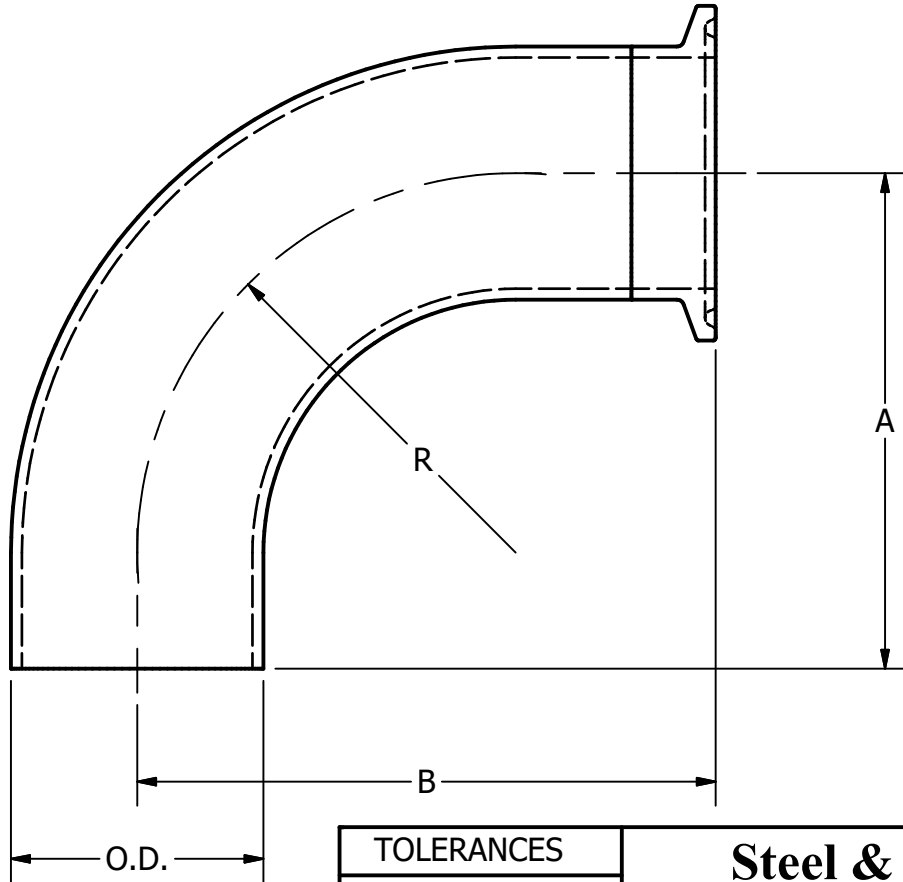


PART NO.	O.D.	A	B	R
L2CM-.50	.500	3.000	3.500	.750
L2CM-.75	.750	3.000	3.500	1.125
L2CM-1	1.000	2.063	2.563	1.500
L2CM-15	1.500	2.938	3.438	2.250
L2CM-2	2.000	4.063	4.563	3.000
L2CM-25	2.500	5.188	5.688	3.750
L2CM-3	3.000	6.313	6.813	4.500
L2CM-4	4.000	8.313	8.938	6.000



**TOLERANCES**

REFER TO  
STEEL & O'BRIEN  
DOCUMENT # QS121

**Steel & O'Brien Mfg. Inc.**

TITLE  
L2CM - 90° ELBOW WELD x TC

DWG NO: **L2CM**

SCALE: 1 : 1

REV

SHEET 1 OF 1