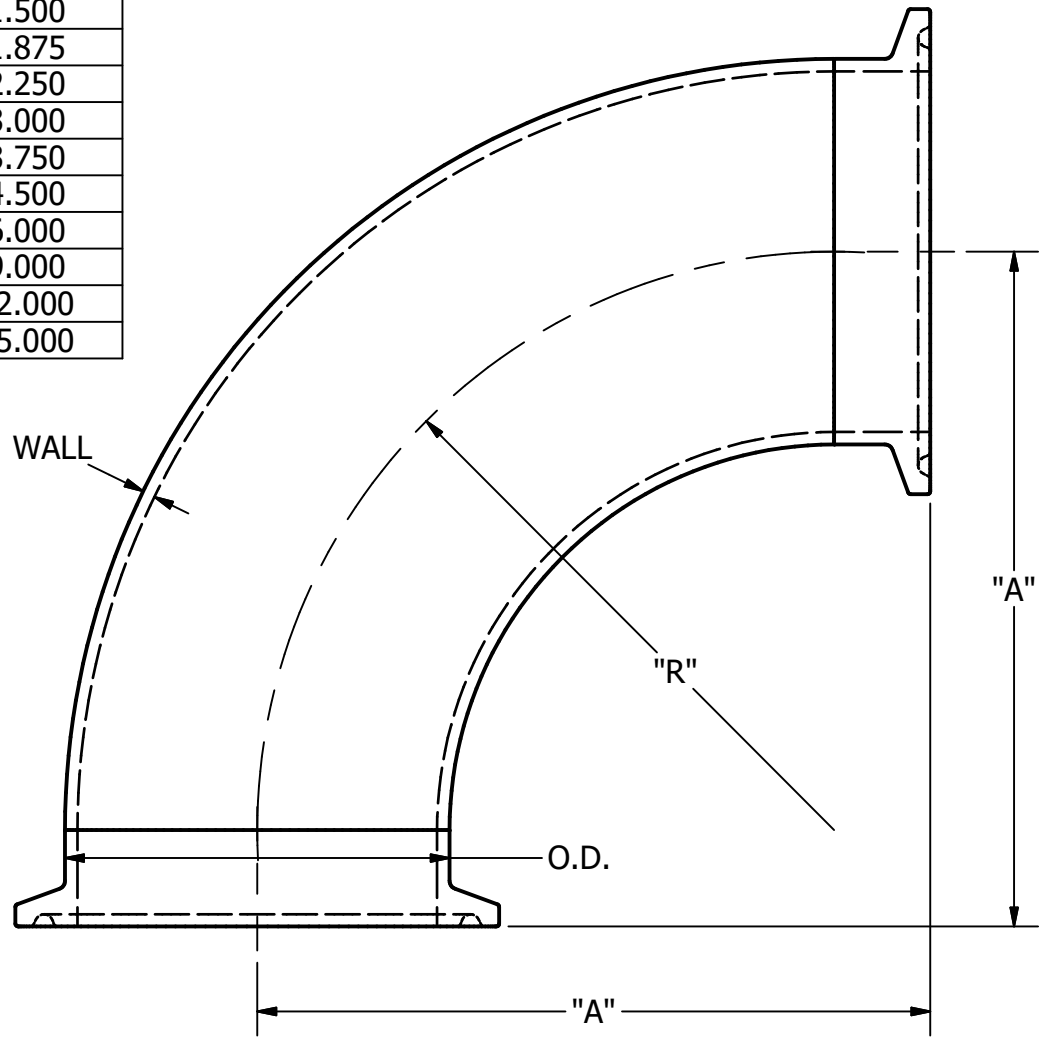


| PART # | O.D. | WALL | A | R |
|-----------|--------|------|--------|--------|
| 2CMP-.50 | .500 | .065 | 1.250 | .750 |
| 2CMP-.75 | .750 | .065 | 1.625 | 1.125 |
| 2CMP-1 | 1.000 | .065 | 2.000 | 1.500 |
| 2CMP-1.25 | 1.250 | .065 | 2.375 | 1.875 |
| 2CMP-1.5 | 1.500 | .065 | 2.750 | 2.250 |
| 2CMP-2 | 2.000 | .065 | 3.500 | 3.000 |
| 2CMP-2.5 | 2.500 | .065 | 4.250 | 3.750 |
| 2CMP-3 | 3.000 | .065 | 5.000 | 4.500 |
| 2CMP-4 | 4.000 | .083 | 6.625 | 6.000 |
| 2CMP-6 | 6.000 | .109 | 9.750 | 9.000 |
| 2CMP-8 | 8.000 | .109 | 12.875 | 12.000 |
| 2CMP-10 | 10.000 | .109 | 15.875 | 15.000 |



| | | |
|--|---|--------------|
| TOLERANCES REFER TO STEEL & O'BRIEN DOCUMENT # QS121 | Steel & O'Brien Mfg. Inc. | |
| | TITLE 2CMP - 90 DEG CLAMP ELBOW ASSEMBLY | |
| | DWG NO: 2CMP | REV |
| | SCALE: N/A | SHEET 1 OF 1 |