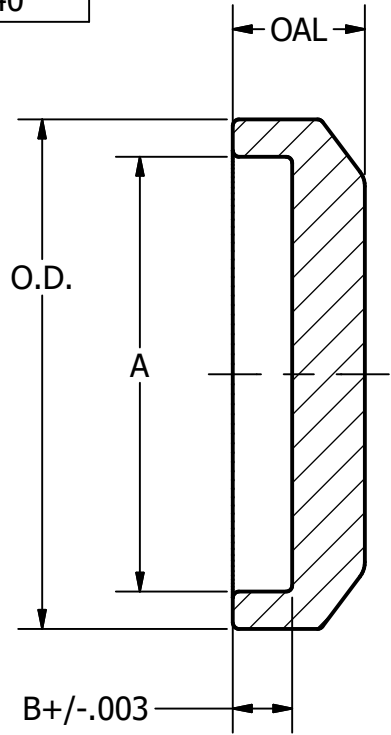


PART NO.	A	O.D.	OAL	B
16AI-15I-1	1.2555	1.9975	.500	.249
16AI-15I-1.5	1.7555	1.9975	.500	.249
16AI-15I-2	2.2555	2.6425	.687	.309
16AI-15I-2.5	2.7555	3.3095	.687	.309
16AI-15I-3	3.3155	3.8725	.687	.364
16AI-15I-4	4.3155	4.8725	.750	.364
16AI-15I-6	6.9195	7.4975	.750	.240
16AI-15I-8	9.4975	8.9195	.750	.240



TOLERANCES

REFER TO
STEEL & O'BRIEN
DOCUMENT # QS121

Steel & O'Brien Mfg. Inc.	
TITLE 16AI-15I FEMALE I-LINE END CAP	
DWG NO: 16AI-15I	REV
SCALE: N/A	SHEET 1 OF 1