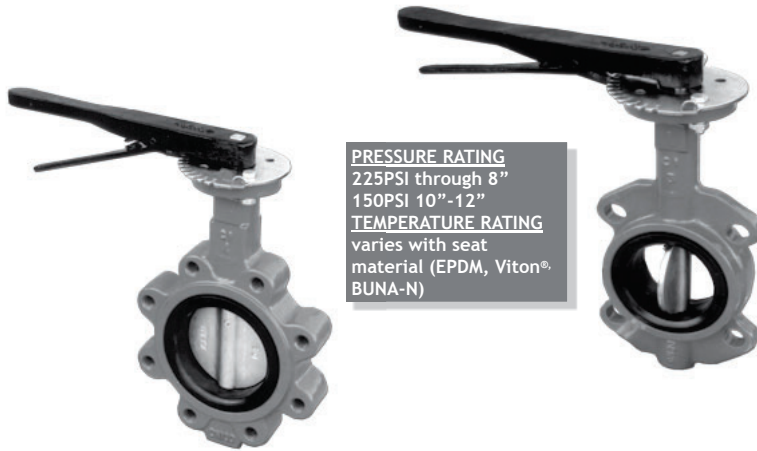




LUG AND WAFER STYLE BUTTERFLY VALVES



PRESSURE RATING
225PSI through 8"
150PSI 10"-12"
TEMPERATURE RATING
varies with seat
material (EPDM, Viton®,
BUNA-N)

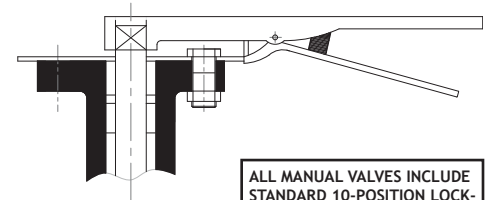
VALVE FEATURES

- wafer or lug style 2" through 12"
- *STANDARD* stainless steel disc and shaft on all sizes
- ISO direct mount for easy automation retrofit
- standard 10-position locking handle on all valves
- cast iron, aluminum and stainless steel gears available
- additional sizes through 24" also available

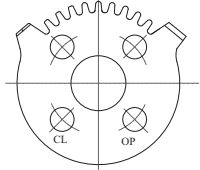
BILL OF MATERIALS

DESCRIPTION	MATERIAL	QTY
BODY	CAST IRON	1
BOTTOM BUSHING	BRONZE	1
SHAFT	316SS	1
SEAT	EPDM, BUNA OR VITON®	1
DISC	316SS	1
TAPER PINS	316SS	1-2
NAME PLATE	316SS	1
RIVETS	316SS	2
TOP BUSHING	BRONZE	1
O-RING	EPDM	1

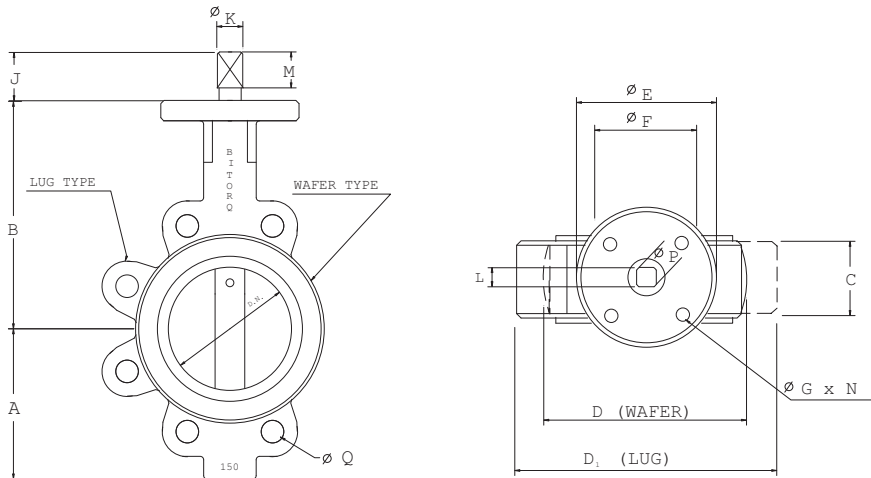
10 POSITION HANDLE



WITH 10 POSITION HANDLE



ALL MANUAL VALVES INCLUDE STANDARD 10-POSITION LOCK-IN-PLACE HANDLE
CAST IRON, ALUMINUM AND SS GEAR OPERATORS ALSO AVAILABLE



DIMENSIONAL DATA

SIZE	ISO 5211	A	B	C	D (WAFER)	D (LUG)	E	F	G X NO.	J	K	L	M	Q	WEIGHT (WAFER)	WEIGHT (LUG)
2"	F07	3.15	6.34	1.69	4.02	5.98	3.54	2.76	0.354 x 4	1.023	0.551	0.433	0.669	0.687	6	7
2-1/2"	F07	3.50	6.89	1.81	4.76	6.74	3.54	2.76	0.354 x 4	1.023	0.551	0.433	0.669	0.687	7	8
3"	F07	3.74	7.13	1.81	5.47	7.87	3.54	2.76	0.354 x 4	1.023	0.551	0.433	0.669	0.687	10	14
4"	F07	4.49	7.87	2.05	6.30	9.02	3.54	2.76	0.354 x 4	1.181	0.709	0.551	0.826	0.687	13	26
5"	F07	5.00	8.39	2.20	7.48	10.00	3.54	2.76	0.354 x 4	1.181	0.709	0.551	0.826	0.812	18	28
6"	F07	5.47	8.90	2.20	8.46	11.02	3.54	2.76	0.354 x 4	1.299	0.866	0.669	0.945	0.812	20	31
8"	F07	6.89	10.24	2.36	10.59	13.50	3.54	2.76	0.472 x 4	1.299	0.866	0.669	0.945	0.812	32	49
10"	F10	7.99	11.50	2.68	13.11	15.98	4.92	4.02	0.472 x 4	1.850	1.102	0.866	0.945	0.937	42	72
12"	F10	9.53	13.27	3.07	15.08	19.02	4.92	4.02	0.472 x 4	1.850	1.102	0.866	0.945	0.937	70	105